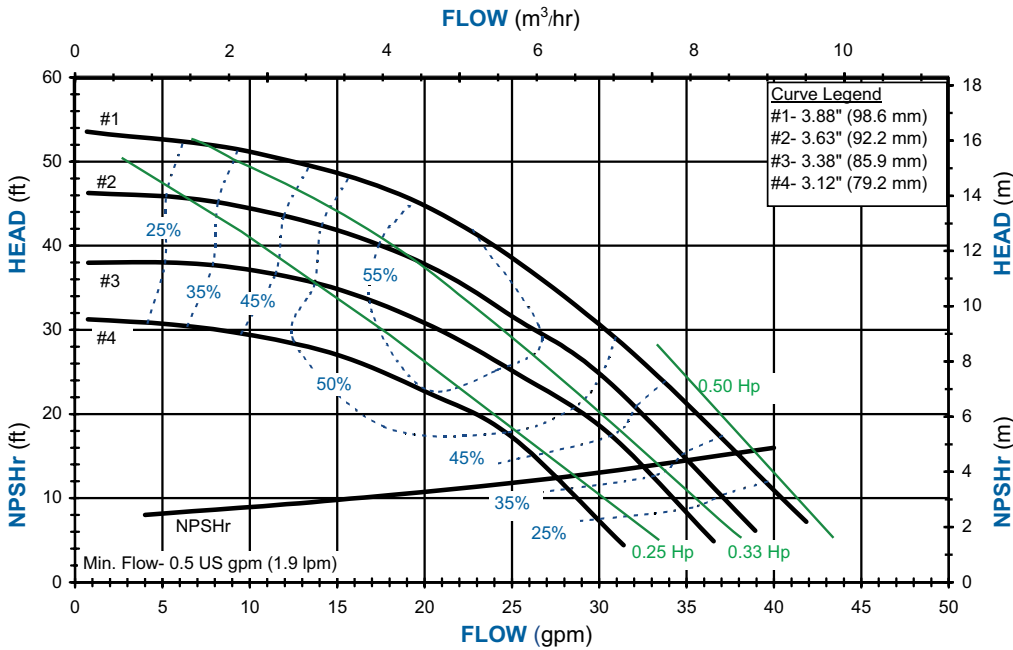


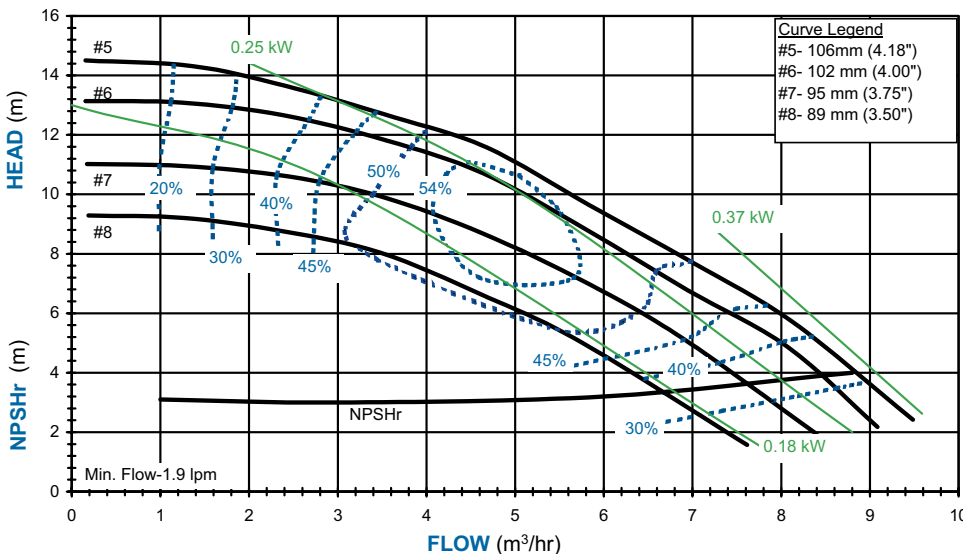
DB Series: Model DB6H



DB6H PERFORMANCE 3450 RPM



DB6H PERFORMANCE 2900 RPM



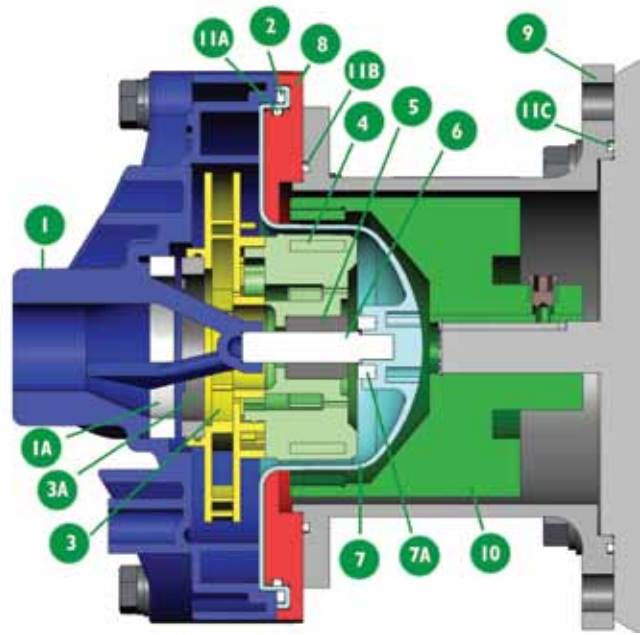
FEATURES & CAPABILITIES

- + Five-year warranty
- + Extended run dry ability (with carbon bushing)
- + High operating efficiency
- + Polypropylene or PVDF construction
- + Powerful neodymium magnets
- + Close-coupled design
- + Threaded (NPT or BSP), flanged, or union connections
- + Horizontal or vertical installation with IEC motor
- + Back pullout design
- + Mounts to NEMA and (B5 & B14) IEC motor frames
- + Easy set measurement free drive
- + ISO 1940 G2.5 balancing
- + CE certified/ATEX available
- + Working pressure to 80 psi (5.5 bar)
- + Specific gravity over 1.8
- + Viscosity up to 150 cP
- + Polypropylene—180° F (82° C)
- + PVDF—220° F (104° C)

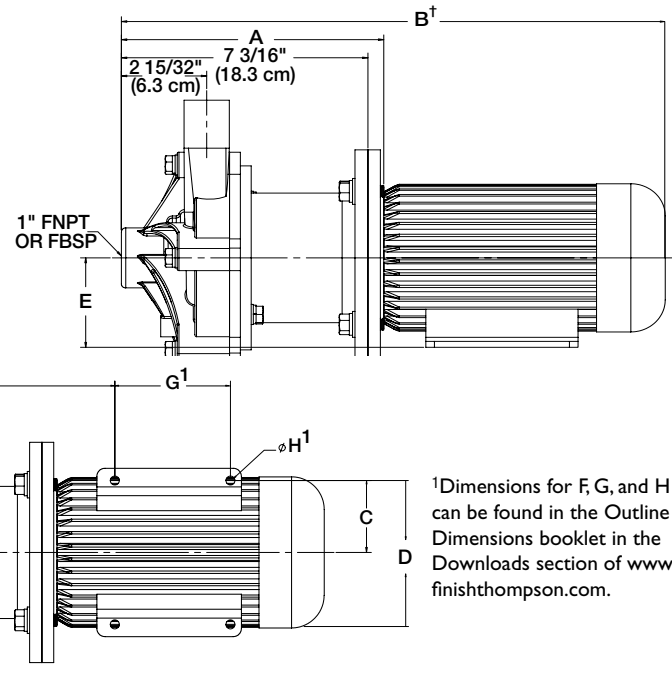
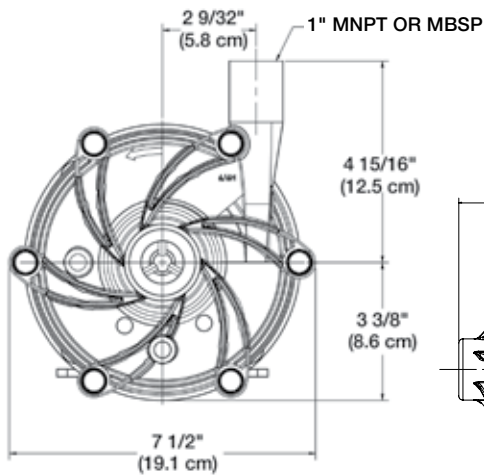
APPLICATIONS

- + Chemical processing
- + Plating
- + Water and wastewater
- + Electronics
- + Pharmaceuticals
- + Wet scrubber
- + Pulp and paper
- + Heat exchanger
- + and many more!

| Description | Polypropylene Models | PVDF Models |
|--|---|--|
| 1 Impeller housing | Glass-fiber reinforced polypropylene | Carbon-fiber reinforced PVDF |
| 1A Impeller housing thrust ring options | High-purity alumina ceramic, silicon carbide | |
| 2 O-ring options | FKM, EPDM, Simriz®, Kalrez® | |
| 3 Impeller | Glass-fiber reinforced polypropylene | Carbon-fiber reinforced PVDF |
| 3A Impeller thrust ring options | Glass-fiber molybdenum disulfide filled PTFE, silicon carbide | |
| 4 Inner drive | Neodymium iron boron magnets encapsulated in unfilled polypropylene | Neodymium iron boron magnets encapsulated in unfilled PVDF |
| 5 Bushing options | Carbon, PTFE, high-purity alumina ceramic, silicon carbide | |
| 6 Shaft options | High-purity alumina ceramic, Hastelloy® C, silicon carbide | |
| 7 Barrier | Glass-fiber reinforced polypropylene | Carbon-fiber reinforced PVDF |
| 7A Barrier thrust ring | High-purity alumina ceramic | |
| 8 Clamp ring | Ductile iron | |
| 9 Motor adapter | Glass-fiber reinforced polypropylene | |
| 10 Outer drive magnet | Nickel plated neodymium iron boron magnets/steel | |
| 11A Motor adapter sealing option | Buna N (STD), FKM, EPDM | |
| 11B sealing option | | |
| 11C (NEMA only) | | |



Kalrez® is a registered trademark of DuPont Performance Elastomers
 Simriz® Perfluoroelastomer is a registered trademark of the Simrit® division of Freudenberg-NOK
 Hastelloy® C is a registered trademark of Haynes International, Inc.



¹Dimensions for F, G, and H can be found in the Outline Dimensions booklet in the Downloads section of www.finishthompson.com.

| Motor Frame | A | B [†] | C | D | E | Weight - lbs. [kg] | | |
|----------------------------------|-------------------|---------------------|-------------------|--------------------|-------------------|--------------------|------------|------|
| | PP | PVDF | PP | PVDF | PP | PVDF | PP | PVDF |
| NEMA 56C | 7-3/16" [18.3 cm] | 17-7/16" [44.3 cm] | 2-7/16" [6.2 cm] | 4-7/8" [12.4 cm] | 3-1/2" [8.9 cm] | 10.5 [4.8] | 11.1 [5.0] | |
| NEMA 145TC | 7-3/16" [18.3 cm] | 17 15/16" [45.6 cm] | 2-3/4" [7.0 cm] | 5-1/2" [14.0 cm] | 3-1/2" [8.9 cm] | 10.5 [4.8] | 11.1 [5.0] | |
| IEC 63 w/B14 or B5 flange | 7-5/8" [19.4 cm] | 14-7/8" [37.8 cm] | 1-31/32" [5.0 cm] | 3-15/16" [10.0 cm] | 2-15/32" [6.3 cm] | 14.0 [6.4] | 15.0 [6.8] | |
| IEC 71 w/B14 or B5 flange | 7-5/8" [19.4 cm] | 15-13/16" [40.2 cm] | 2-7/32" [5.6 cm] | 4-13/32" [11.2 cm] | 2-25/32" [7.1 cm] | 14.0 [6.4] | 15.0 [6.8] | |

Dimensions and weights are for reference only.
[†]Varies with motor manufacturer.

Note: Weights listed above are for pumps only. Motors not included.



291 Greengarden Road • Erie, PA 16501-1591 U.S.A • Ph 814-455-4478 • Fax 814-455-8518
 E-mail fti@finishthompson.com • www.finishthompson.com

FT07-978A