

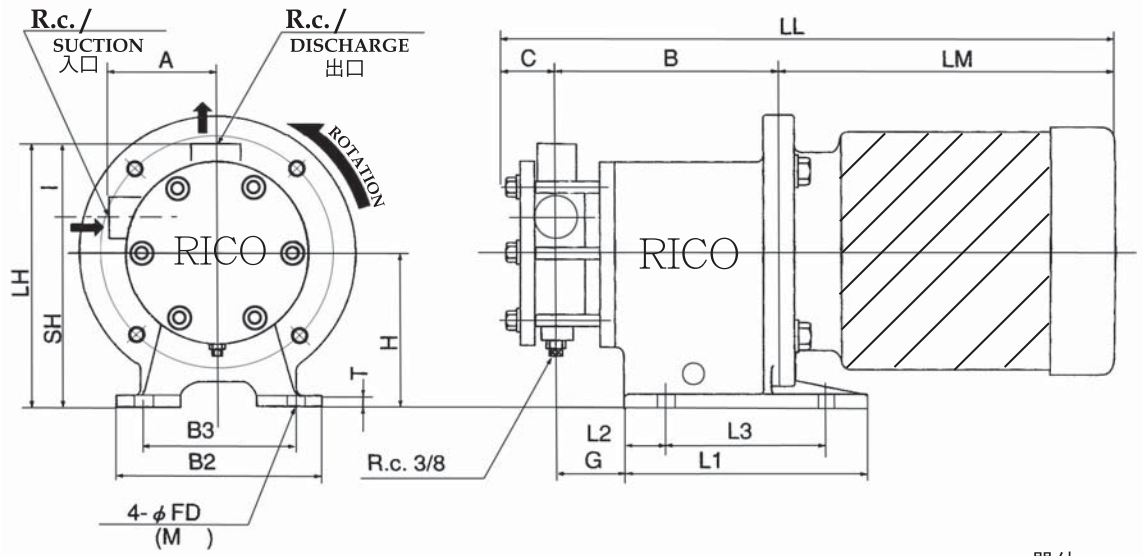
고양정 & 저유량 마찰식 스테인레스 SS316 마그넷 펌프

GMSW型



치수 도면

GMSW 1-5 HP
-30°C~150°C

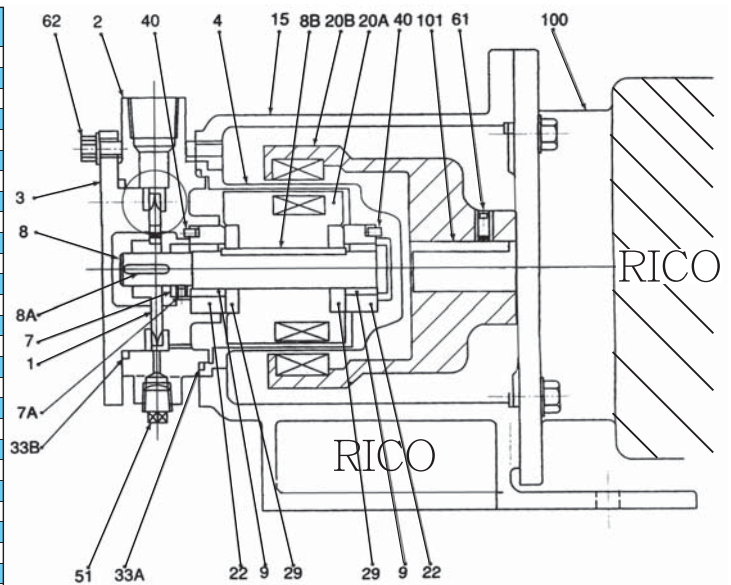


單位 : mm

PUMP SIZE	MOTOR馬達		PUMP & MOTOR DIMENSION																			WEIGHT APPROX(kgf)	
	OUT PUT (kW)	FRAME SIZE	BORE口徑		A	B	C	H	I	SH	LH	LM	LL	G	L1	L2	L3	B2	B3	T	FD	PUMP	MOTOR
			Ds	Dd																			
GMSW201	0.75	80	(20)	(20)	80	170	35	110	55	135	190	260	465	80	180	30	120	160	130	12	12	22	20
	1.5	90L	Rc3/4	Rc3/4	80	170	35	110	55	135	190	312	517	80	180	30	120	160	130	12	12	22	27
GMSW251	1.5,2.2	90L	(25)	(25)	105	170	40	110	75	140	215	312	522	80	180	30	120	160	130	12	12	22	27
	(2.2)	100	Rc1	Rc1	105	180	40	170	75	200	275	355	575	80	250	30	190	200	160	18	12	27	28
GMSW252	2.2	90L	(25)	(25)	105	170	40	110	75	140	215	312	522	80	180	30	120	160	130	12	12	22	28
	(2.2),3.7	(100L),112M	Rc1	Rc1	105	180	40	170	75	200	275	355	575	80	250	30	190	200	160	18	12	27	50

재질

編號 MARK	名稱 NAME OF PART	材質 MATL	數量 USE No	SPARE No	備註 REMARK
1	IMPELLER	SUS316	1		
2	CASING	SCS14	1		
3	CASING COVER	SCS14	1		
4	REAR CASING	SUS316	1		
7	SET RING	SUS316	1		
8	SHAFT	SUS316	1		
8A	IMPELLER KEY	SUS316	1		5x5x20
8B	COUPLING KEY(P)	SUS316	1		6x6x61
9	SLEEVE	SSIC	2		AMH-200
15	FRAME ADAPTER	FC200	1		
20A	MAGNET	RARE EARTH	1s		
20A	MAGNET COUPLING(P)	SUS316	1		
20B	MAGNET	RARE EARTH	1s		
20B	MAGNET COUPLING(M)	SS400	1		
16					
22	BUSHING	SSIC	2		AMH-200
29	THRUST RING	SSIC	2		AMH-200
33A	O RING	PTFE	1		JIS B2401 G85
40	PIN	SUS316	2		Φ3x6L
51	PLUG	SUS316	1		PT3/8
61	SET SCREW	SCM435	1		M8x8L
63					
62	HEXAGON SOCKET BOLT	SUS304	6s		M8x55L/60L
33B	O RING	PTFE	1		JIS B2401 G
A	SET SCREW	SUS316	2		M5x5L
100	MOTOR	-	1		
101	COUPLING KEY(M)	S45C	1		6x6x32



성능곡선

PERFORMANCE CURVES

