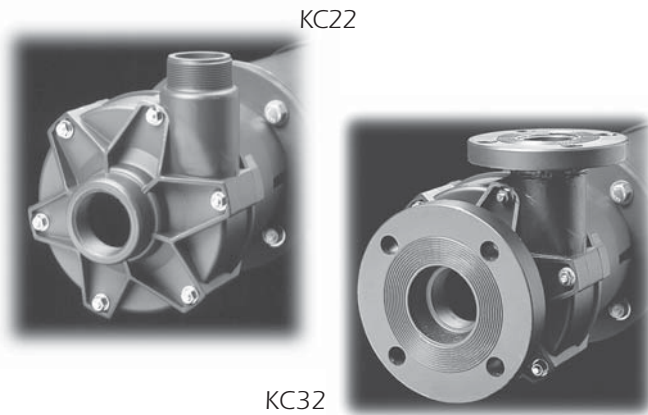


KC Series

MAGNETIC SEALLESS PUMPS

KC22 & 32 Sealless* Centrifugal Pumps

3.0 to 10 HP
(1.5 to 7.5 kW)

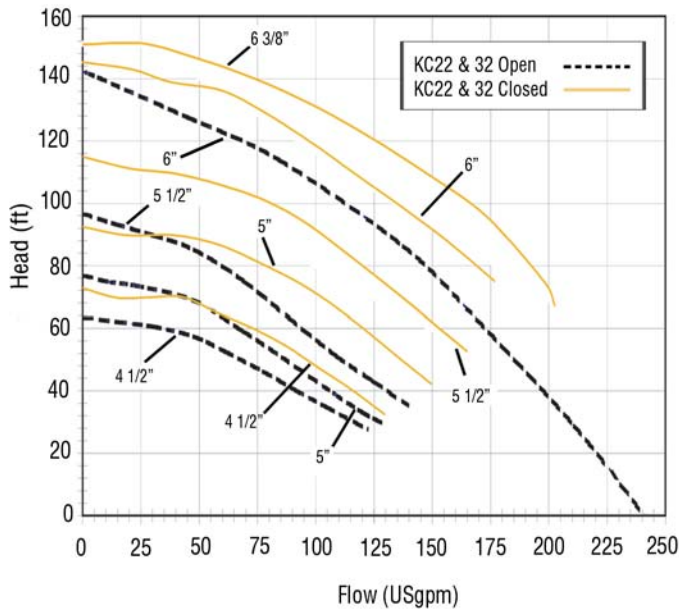


Features

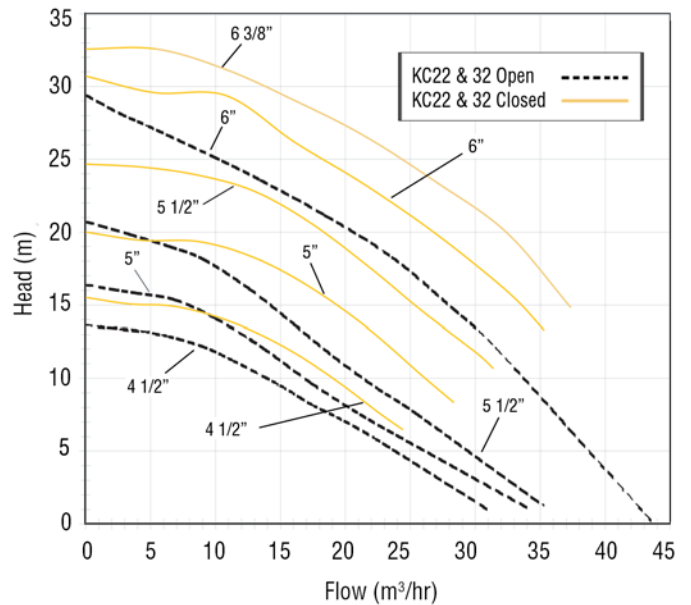
- 10 Dry-Run 가
- (P) PVDF (V)
- NEMA 184TC, 213TC IEC 90, 100, 112
- NPT BSP
- 1.8
- 50cps
- Open Closed

Performance

60 Hz, 3450 rpm - KC22 & 32, Open & Closed Impellers



50 Hz, 2900 rpm - KC22 & 32, Open & Closed Impellers



Specifications

Open Impeller

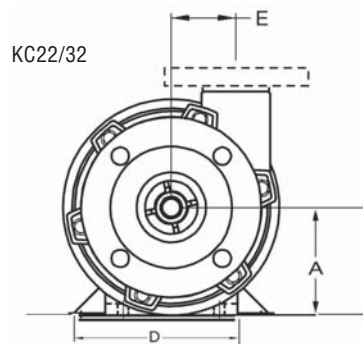
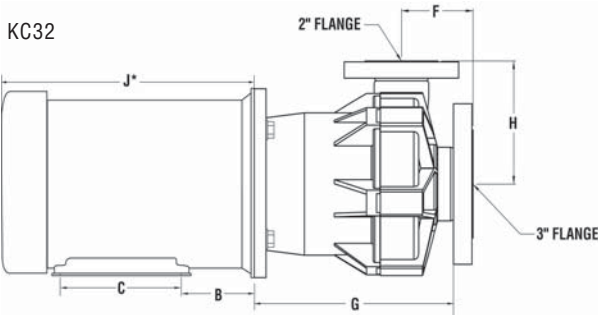
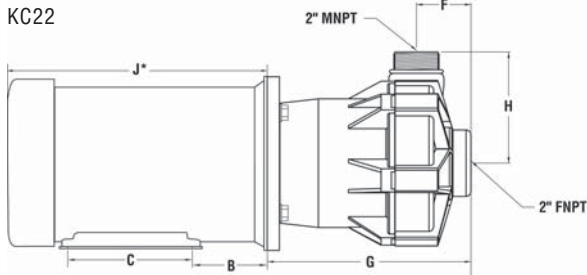
MODEL (CONSTRUCTION)	SUCTION DISCHARGE	IMPELLER SIZE		MAX. FLOW		MAX. HEAD		MOTOR DRIVE		MAX.
		inch	cm	3450 rpm gpm	2900 rpm m ³ /hr	3450 rpm ft	2900 rpm m	3450 rpm hp	2900 rpm kw	S.G. @ 50 cps
KC22/3245 (P, V)	2" FNPT	4.5	11.5	180	32.7	63	13.6	3.0 - 5.0	1.5 - 2.2	1.8
KC22/3250 (P, V)	2" MNPT	5.0	12.7	200	36.2	77	16.4	5.0 - 7.5	2.2 - 4.0	1.8
KC22/3255 (P, V)	3" Flange	5.5	14.0	205	37.1	97	20.7	5.0 - 7.5	2.2 - 4.0	1.8
KC22/3260 (P, V)	2" Flange	6.0	15.2	241	43.8	142	29.4	7.5 - 10.0	4.0 - 5.5	1.3

Closed Impeller

MODEL (CONSTRUCTION)	SUCTION DISCHARGE	IMPELLER SIZE		MAX. FLOW		MAX. HEAD		MOTOR DRIVE		MAX.
		inch	cm	3450 rpm gpm	2900 rpm m ³ /hr	3450 rpm ft	2900 rpm m	3450 rpm hp	2900 rpm kw	S.G. @ 50 cps
KC22/3245 (P, V)	2" FNPT	4.5	11.5	129	24.4	73.1	15.5	3.0 - 5.0	1.5 - 3.0	1.8
KC22/3250 (P, V)	2" MNPT	5.0	12.7	149	28.3	92.4	20.0	5.0 - 7.5	3.0 - 4.0	1.8
KC22/3255 (P, V)	3" Flange	5.5	14.0	165	31.4	115.1	24.7	5.0 - 7.5	3.0 - 4.0	1.8
KC22/3260 (P, V)	2" Flange	6.0	15.2	193	35.3	141.8	30.7	7.5 - 10.0	4.0 - 5.5	1.3
KC22/3263 (P,V)		6.375	16.2	201	37.3	150.7	32.6	7.5 - 10.0	4.0 - 5.5	1.0

Dimensions

close coupled



With NEMA TEFC Motors (Inches)

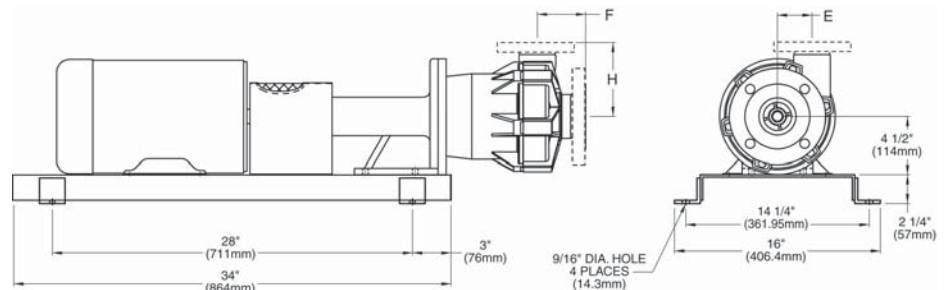
MODEL	MOTOR FRAME	A	B	C	D	E	F	G	H	J*
KC22	184TC	4-1/2	2-3/4	5-1/2	7-1/2	2-11/16	2-11/16	10-11/16	5-15/16	13-15/16
	213TC	5-1/4	3-1/2		8-1/2					
KC32	184TC	4-1/2	2-3/4	5-1/2	7-1/2	2-11/16	3-5/8	11-1/2	5-15/16	13-15/16
	213TC	5-1/4	3-1/2		8-1/2					

With IEC Motors (Millimeters)

MODEL	MOTOR FRAME	A	B	C	D	E	F	G	H	J*
KC22	90	90	56	100	140	68.3	68.3	261.2	150.8	292
	100	100	63		160					331
	112	112	70	140	190					366
KC32	90	90	56	100	140	68.3	92.1	285	150.8	292
	100	100	63		160					331
	112	112	70	140	190					366

*Varies with manufacturer

Pedestal Mounted



FTI KOREA
Tel. 02 - 2633 - 5831
Fax. 02 - 2633 - 5832
www.ftikorea.co.kr

