

3-SERIES STANDARD DUTY GEAR PUMPS

3-Series

Up to 100 PSI differential pressure

Liquiflo's original **3-Series Gear Pumps** are available in Sealed and Mag-Drive versions with flows up to **58 GPM** and differential pressures up to **100 PSI**.



3-Series Specifications

SEALED Long-Coupled							
MAG-DRIVE or SEALED Close-Coupled							
SEALED MAG-DRIVE	31F 31F-MC	33F 33F-MC	35R 35R-MC	35F 35F-MC	37R 37R-MC	37F 37F-MC	39R 39R-MC
Max Flow	0.5 GPM (1.9 LPM)	1.4 GPM (5.3 LPM)	2.4 GPM (9.1 LPM)	3.4 GPM (13 LPM)	8.6 GPM (33 LPM)	10.7 GPM (40.5 LPM)	15 GPM (57 LPM)
Max Diff. Press.	100 PSI (7 BAR)	100 PSI (7 BAR)	100 PSI (7 BAR)	100 PSI (7 BAR)	100 PSI (7 BAR)	100 PSI (7 BAR)	100 PSI (7 BAR)
Max Discharge	300 PSI (20.7 BAR)	300 PSI (20.7 BAR)	300 PSI (20.7 BAR)	300 PSI (20.7 BAR)	225 PSI (15.5 BAR)	225 PSI (15.5 BAR)	225 PSI (15.5 BAR)
Max Temp.	500 °F (260 °C)	500 °F (260 °C)	500 °F (260 °C)	500 °F (260 °C)	500 °F (260 °C)	500 °F (260 °C)	500 °F (260 °C)
Max Viscosity	100,000 * CPS	100,000 * CPS	100,000 * CPS	100,000 * CPS	100,000 * CPS	100,000 * CPS	100,000 * CPS
Max Speed	1750 RPM	1750 RPM	1750 RPM	1750 RPM	1750 RPM	1750 RPM	1750 RPM
NPSHR @ Max Speed	3 FT (0.9 M)	2 FT (0.6 M)	2 FT (0.6 M)	2 FT (0.6 M)	5.2 FT (1.6 M)	5.2 FT (1.6M)	4 FT (1.2M)
Weight							
Sealed, LC	2.5 LBS (1.1 KGS)	2.5 LBS (1.1 KGS)	3.5 LBS (1.6 KGS)	3.5 LBS (1.6 KGS)	6.5 LBS (2.9 KGS)	6.5 LBS (2.9 KGS)	8 LBS (3.6 KGS)
Sealed, CC	23 LBS (10 KGS)	23 LBS (10 KGS)	24 LBS (11 KGS)	24 LBS (11 KGS)	29 LBS (13 KGS)	29 LBS (13 KGS)	34 LBS (15 KGS)
Mag-Drive, CC	31 LBS (14 KGS)	31 LBS (14 KGS)	32 LBS (15 KGS)	32 LBS (15 KGS)	36 LBS (16 KGS)	36 LBS (16 KGS)	38 LBS (17 KGS)
Mag-Drive, LC	-	-	-	-	-	-	-

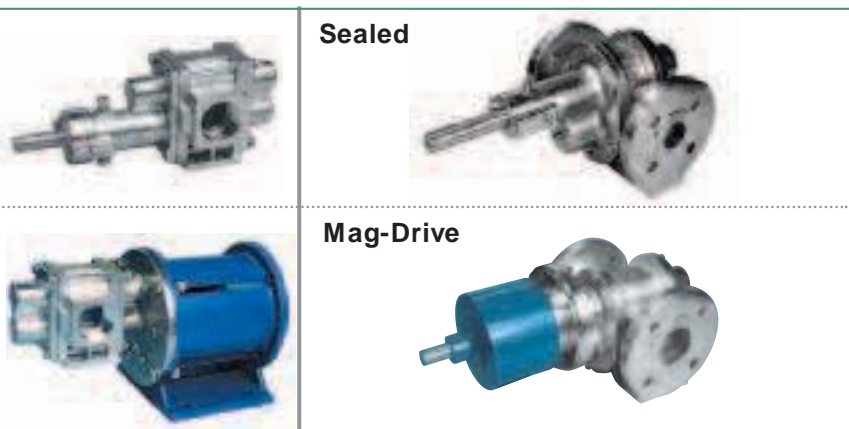
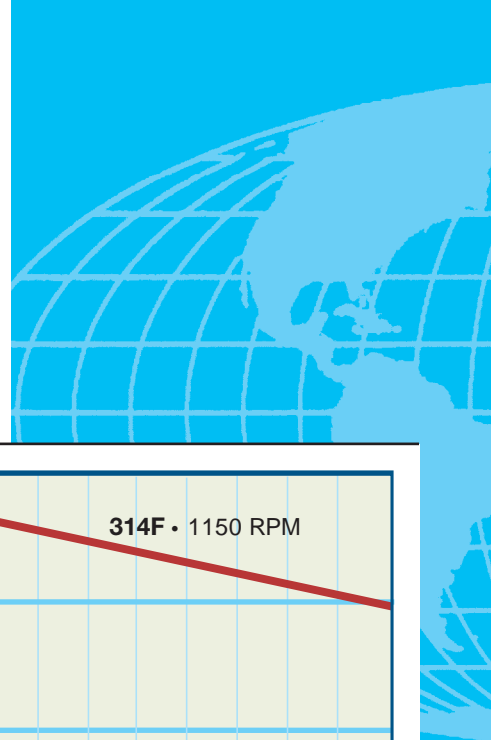
* Higher viscosities possible. Contact factory.

LC = Long-Coupled

CC = Close-Coupled

COMPOSITE
GEAR PUMP
PERFORMANCE
CURVES

TEST FLUID: WATER
(1 CPS)



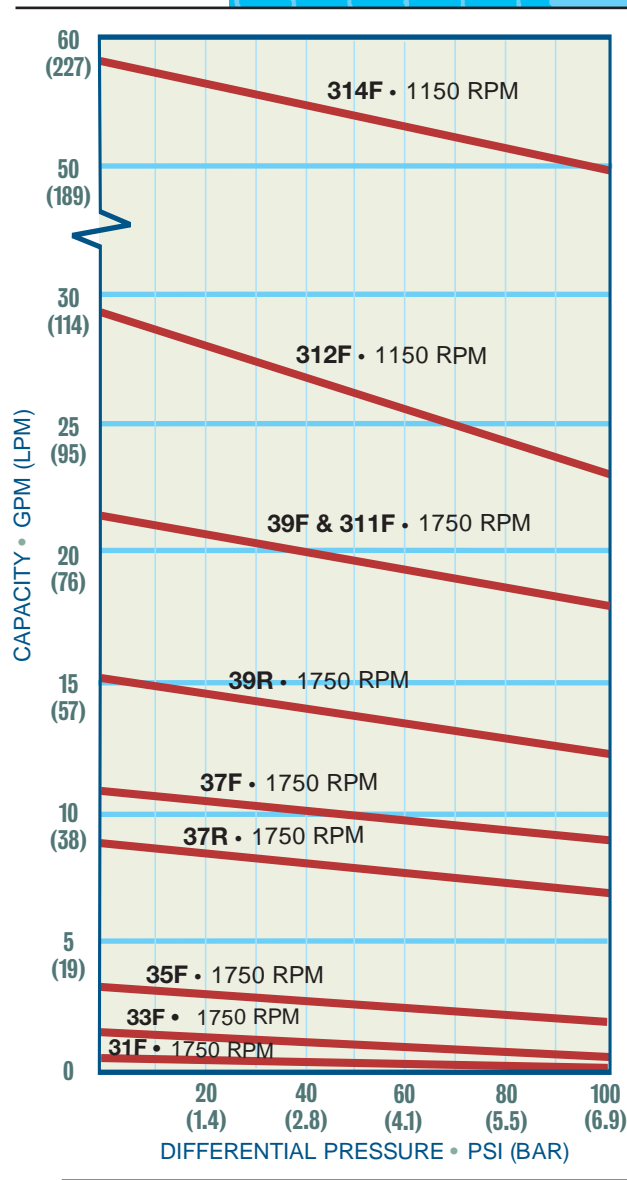
Sealed

Mag-Drive

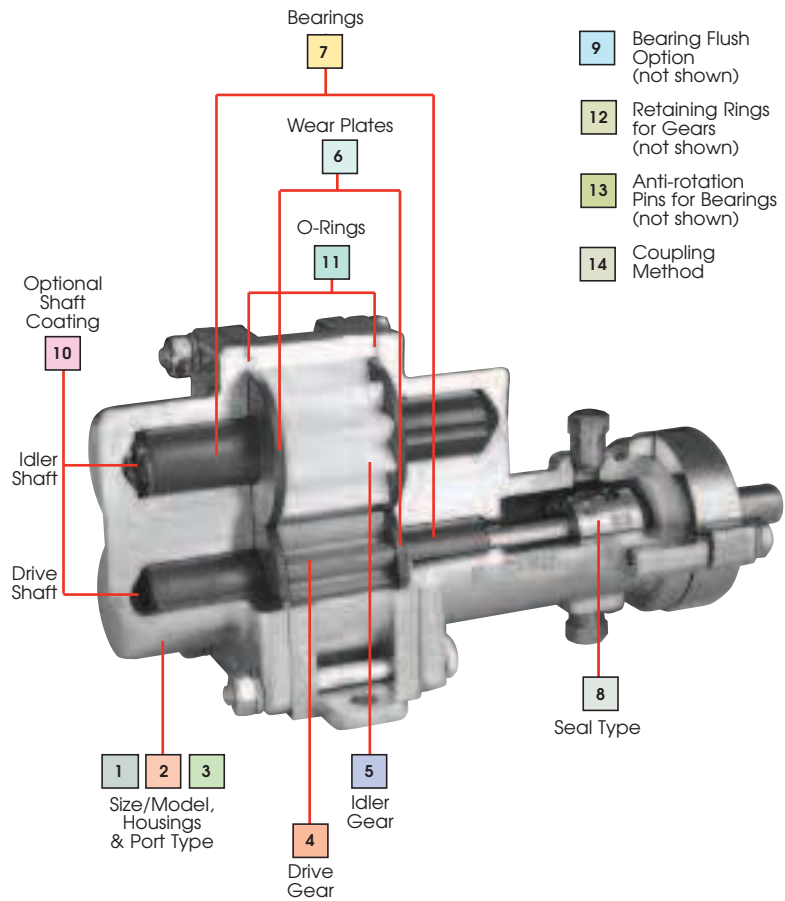
LONG-COUPLED ONLY

39F 39F-MC	312R 312R-MC	312F 312F-MC	314F 314F-MC
21.5 GPM (81.4 LPM)	22 GPM (83 LPM)	29 GPM (110 LPM)	58 GPM (220 LPM)
100 PSI (7 BAR)	100 PSI (7 BAR)	100 PSI (7 BAR)	100 PSI (7 BAR)
225 PSI (15.5 BAR)	270 PSI (18.6 BAR)	270 PSI (18.6 BAR)	270 PSI (18.6 BAR)
500 °F (260 °C)	500 °F (260 °C)	500 °F (260 °C)	500 °F (260 °C)
100,000 * CPS	100,000 * CPS	100,000 * CPS	100,000 * CPS
1750 RPM	1150 RPM	1150 RPM	1150 RPM
3 FT (0.9 M)	5 FT (1.5 M)	5 FT (1.5 M)	3 FT (0.9 M)
10 LBS (4.5 KGS)	52 LBS (24 KGS)	52 LBS (24 KGS)	67 LBS (30 KGS)
36 LBS (16 KGS)	-	-	-
40 LBS (18 KGS)	-	-	-
-	70 LBS (32 KGS)	70 LBS (32 KGS)	85 LBS (39 KGS)

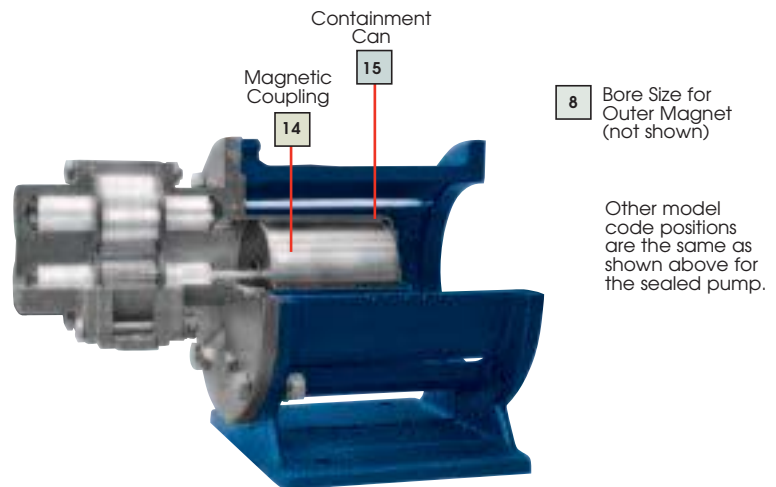
Note: 311F Model is available. Contact factory.



PUMP MODEL CODING



Sealed Pump



Mag-Drive Pump

PUMP MODEL CODING

Liquiflo 3-Series Gear Pumps Selection & Availability



Sample Model No. **35 F S 6 P E E U 0 0 0 0 0 9**

Position No. 1 2 3 4 5 6 7 8 9 10 11 12 13 14 15

EXAMPLE:

35FS6PEEU000009, designates a Model 35F Pump with Single Mechanical Seal.

35 F S 6 P E E U 0 0 0 0 0 9
1&2 3 4 5 6 7 8 9 10 11 12 13 14 15

Pos.	Description	Selection
1 & 2	Pump Model	35F 35F Pump
3	Housing Mat'l	S 316 SS NPT
4	Drive Gear Mat'l	6 316 SS
5	Idler Gear Mat'l	P PEEK
6	Wear Plate Mat'l	E Carbon 60
7	Bearing Mat'l	E Carbon 60
8	Seal Type	U Single-Int, Carbon-SiC
9	Bearing Flush	0 None
10	Shaft Coating	0 None
11	O-Rings	0 Teflon
12	Retaining Ring	0 316 SS
13	Bearing Pins	0 Teflon
14	Coupling Method	9 Long-Coupled
15	N/A	

Liquiflo's Model Code describes both the pump's size and materials selected. This model code is required for the future identification of your pump when reordering either a pump or replacement parts. Model code is permanently stamped into pump housing.

- Available
- ⊗ Not Available
- CF Contact Factory

Note: Delrin Gears (Code = 5) are no longer available in new pumps but are available for repair and replacement only.

Flanges available:

ANSI, DIN, JIS, or slip joint flanges conforming to the dimensions of the standard.

CONNECTION SIZES

	31/33	35	37	39R	39F	312	314
NPT/BSPT	1/4	1/2	3/4	1	1 1/4	1 1/4	-
ANSI 150# RF	1/2	1/2	3/4	1	1 1/4	1 1/2	2 1/2
DIN PN16	10	15	20	25	32	40	65
JIS 10K	10	15	20	25	32	40	65

Note: 311F pumps available with same features as 39F

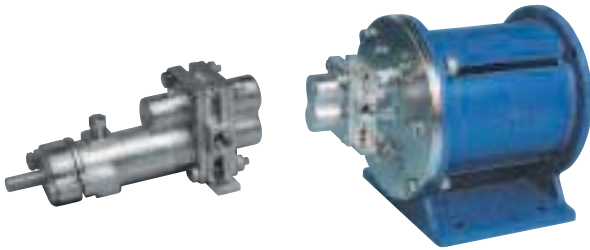
Position Model	1 Pump Model	31	33	35	37	39	312	314
Position Model	F = Full Capacity R = Reduced Capacity	■	■	■	■	■	■	■
Position Model		⊗	⊗	■	■	■	■	⊗
Position Basic Material & Port Type	S = 316 SS NPT L = 316 SS Flanged X = 316 SS BSPT H = Alloy-C NPT C = Alloy-C Flanged Y = Alloy-C BSPT D = Alloy-20 NPT W = Alloy-20 BSPT	■	■	■	■	■	■	⊗
Position Drive Gear	1 = Alloy-C 3 = Teflon 6 = 316 SS P = PEEK	■	■	■	■	■	■	■
Position Idler Gear	1 = Alloy-C 2 = Carbon 3 = Teflon 6 = 316 SS 8 = Ryton P = PEEK	⊗	■	■	■	■	⊗	⊗
Position Wear Plates	3 = Teflon 4 = Ceramic (SiC) E = Carbon 60 P = PEEK	■	■	■	■	■	■	■
Position Bearings	3 = Teflon B = Silicon Carbide E = Carbon 60 P = PEEK	■	■	■	■	■	■	■
Position Outer Magnet Bore (Mag-Drive)	0 = 0.625" (NEMA 56C/56HC) 1 = 0.875" (NEMA 143/145TC) 2 = 14 mm (IEC 71 - B5) 3 = 19 mm (IEC 80 - B5) 4 = 24 mm (IEC 90 - B5) 5 = 1.125" (NEMA 182/184TC)	■	■	■	■	■	⊗	⊗
Position Seal Type (Sealed)	U = Single-Int Carbon - SiC S = Single-Int Teflon - SiC W = Single-Ext Carbon - SiC X = Single-Ext Teflon - SiC F = Double Carbon - SiC H = Double Teflon - SiC J = U-Cup Viton L = Packing Teflon R = Packing Graphoil	■	■	■	■	■	⊗	⊗
Position Bearing Flush Option	0 = Standard Housings 1 = External Bearing Flush 2 = Internal Bearing Flush	■	■	■	■	■	⊗	⊗
Position Shaft Coating	0 = Material same as housing (uncoated) 1 = Ceramic 2 = Tungsten Carbide	■	■	■	■	■	■	■
Position O-Rings	0 = Teflon 6 = 316 SS / PTFE encapsulated B = Buna-N E = EPDM V = Viton K = Kalrez	⊗	■	■	■	■	■	■
Position Retaining Rings	0 = Material same as housing	■	■	■	■	■	■	■
Position Bearing Pins	0 = Teflon 1 = Alloy-C 6 = 316 SS	■	■	■	■	■	⊗	⊗
Position Coupling Method (Sealed)	0 = Close-Coupled (NEMA 56C/56HC) 1 = Close-Coupled (NEMA 143/145TC) 2 = Close-Coupled (IEC 71 - B5) 3 = Close-Coupled (IEC 80 - B5) 4 = Close-Coupled (IEC 90 - B5) 5 = Close-Coupled (NEMA 182/184TC) 9 = Long-Coupled	■	■	■	■	■	⊗	⊗
Position Magnetic Coupling (Mag Drive)	U = 75 in-lbs B = 120 in-lbs V = 200 in-lbs K = 325 in-lbs J = 650 in-lbs	■	■	■	■	■	⊗	⊗
Position Containment Can	S = Single Wall Can D = Dual Kan	■	■	■	■	■	■	■
Suffix Trim Options	- 8 = Temperature Trim - 9D = Viscosity Trim (double clearance) - 9T = Viscosity Trim (triple clearance)	■	■	■	■	■	■	■

■ Long-coupled pumps (MC: 0.875" dia. shaft; Sealed: 1.000" dia. shaft)

31F SEALED 31F-MC MAG-DRIVE



3 - SERIES
GEAR PUMP

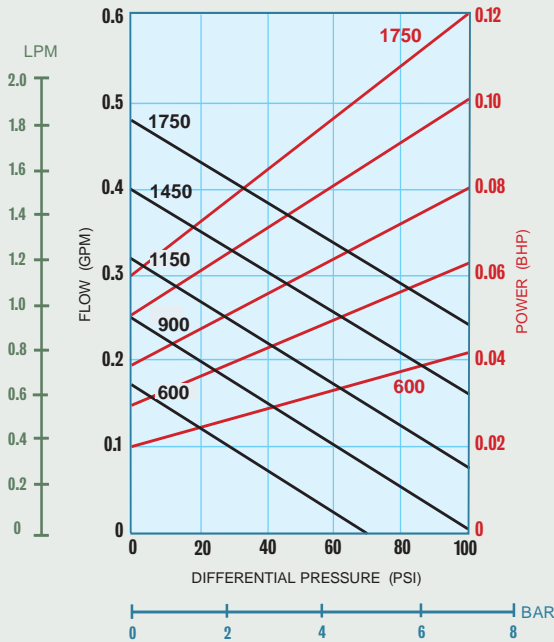


Sealed,
Long-Coupled

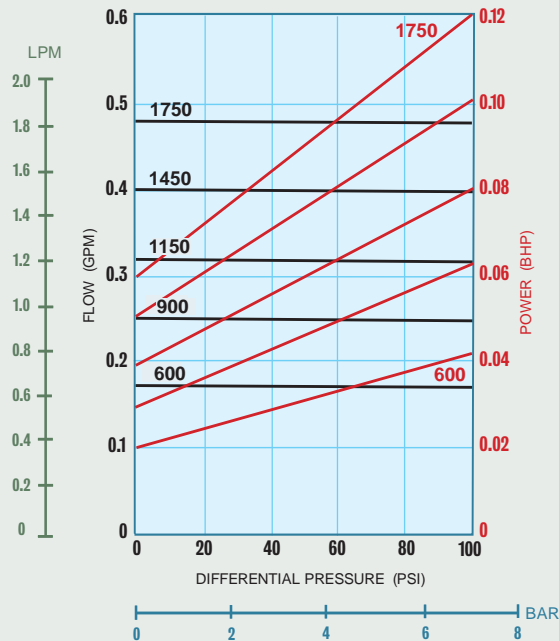
Sealed or Mag-Drive,
Close-Coupled

PERFORMANCE CURVES

1 CPS Fluid (Water)



100 CPS Fluid (Oil)

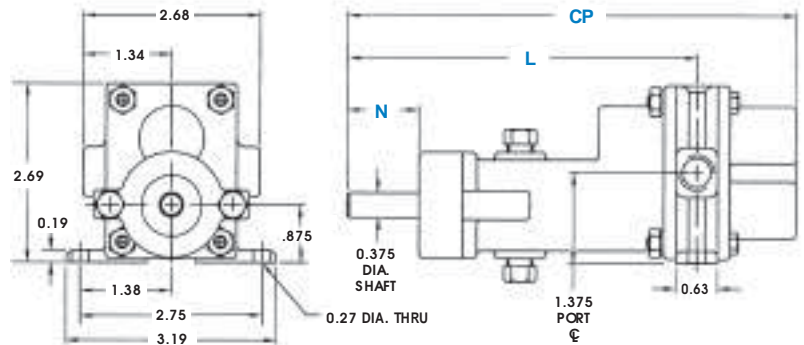


PORT SIZE	1/4" NPT/BSPT or 1/2" FLG
MAX FLOW	0.5 GPM; 1.9 LPM
MAX DIFFERENTIAL PRESSURE	100 PSI; 7 BAR
MAX DISCHARGE PRESSURE	300 PSI; 20.7 BAR
MAX TEMPERATURE	500°F; 260°C
MIN TEMPERATURE	-40°F; -40°C
MAX VISCOSITY	100,000* CPS
NPSHR @ 1750 RPM	3 FT; 0.9 M
LIFT (DRY)	0.5 FT; 0.15 M
WEIGHT (without motor)	
SEALED, Long-Coupled	2.5 LBS; 1.1 KGS
SEALED, Close-Coupled	23 LBS; 10 KGS
MAG-DRIVE, Close-Coupled	31 LBS; 14 KGS

* Higher viscosities possible. Contact factory.

Dimensional Data (inches)

31F Sealed, Long-Coupled



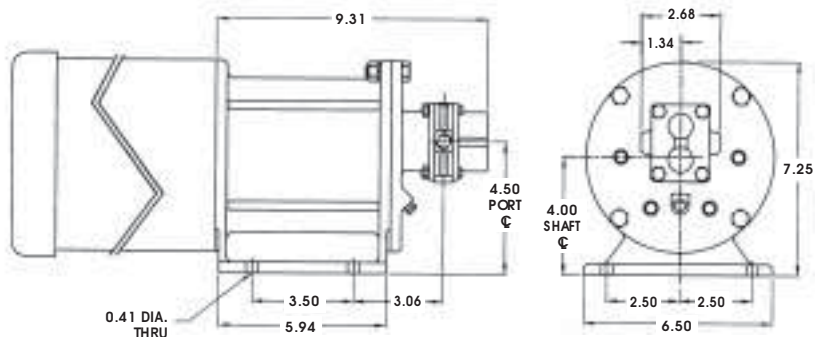
SEAL CONFIGURATIONS

DIMENSION	SINGLE & DOUBLE MECHANICAL SEALS	EXTERNAL MECHANICAL SEAL	PACKING	LIP SEAL
CP(1)	6.94	7.66	6.94	6.94
L	5.44	6.16	5.44	5.44
N	1.12	1.84	1.19(2)	1.57

NOTES: (1) Add .31 inches for Bearing Flush Plugs.
(2) Minimum dimension.

Dimensional Data (inches)

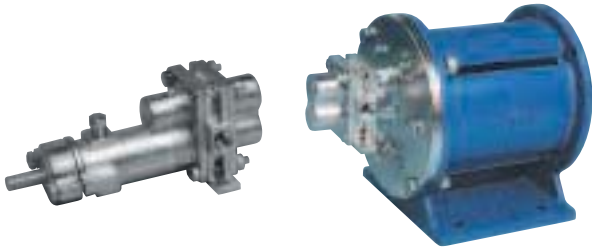
31F-MC & 31F Sealed, Close-Coupled



33F SEALED 33F-MC MAG-DRIVE



3 - SERIES
GEAR PUMP

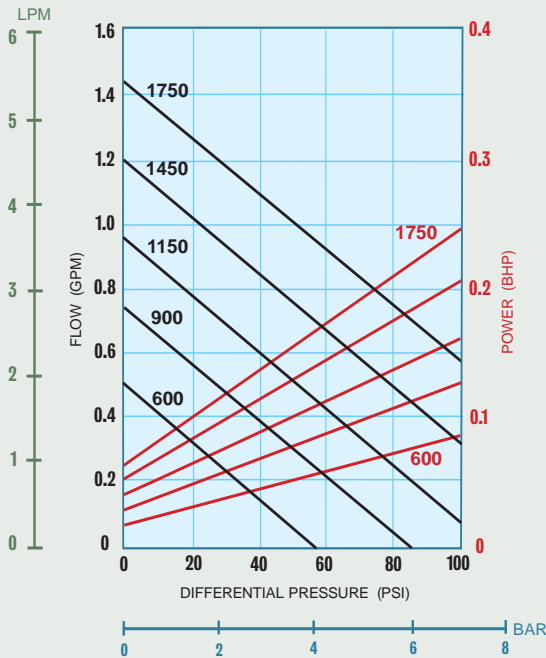


Sealed,
Long-Coupled

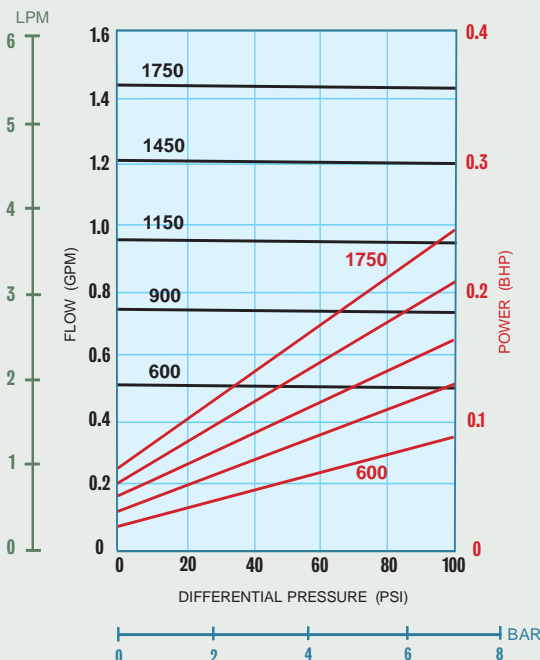
Sealed or Mag-Drive,
Close-Coupled

PERFORMANCE CURVES

1 CPS Fluid (Water)



100 CPS Fluid (Oil)

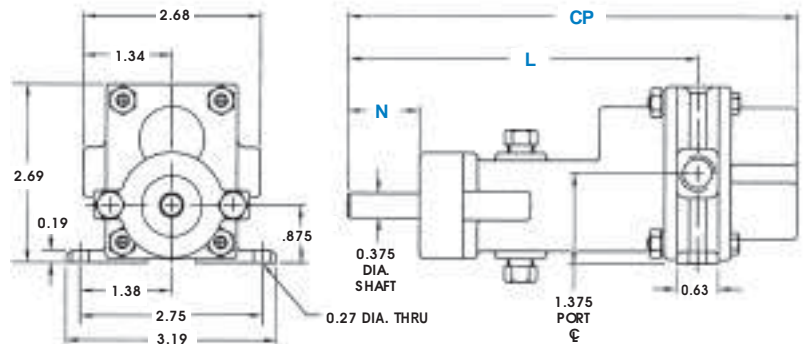


PORT SIZE	1/4" NPT/BSPT or 1/2" FLG
MAX FLOW	1.4 GPM; 5.3 LPM
MAX DIFFERENTIAL PRESSURE	100 PSI; 7 BAR
MAX DISCHARGE PRESSURE	300 PSI; 20.7 BAR
MAX TEMPERATURE	500°F; 260°C
MIN TEMPERATURE	-40°F; -40°C
MAX VISCOSITY	100,000* CPS
NPSHR @ 1750 RPM	2 FT; 0.6 M
LIFT (DRY)	1.5 FT; 0.45 M
WEIGHT (without motor)	
SEALED, Long-Coupled	2.5 LBS; 1.1 KGS
SEALED, Close-Coupled	23 LBS; 10 KGS
MAG-DRIVE, Close-Coupled	31 LBS; 14 KGS

* Higher viscosities possible. Contact factory.

Dimensional Data (inches)

33F Sealed, Long-Coupled



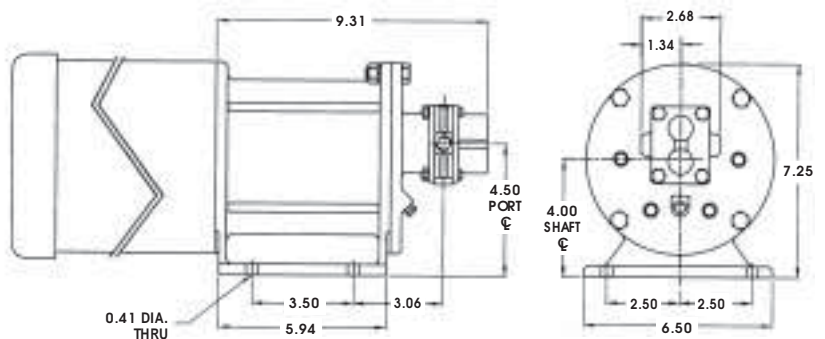
SEAL CONFIGURATIONS

DIMENSION	SINGLE & DOUBLE MECHANICAL SEALS	EXTERNAL MECHANICAL SEAL	PACKING	LIP SEAL
CP(1)	6.94	7.66	6.94	6.94
L	5.44	6.16	5.44	5.44
N	1.12	1.84	1.19(2)	1.57

NOTES: (1) Add .31 inches for Bearing Flush Plugs.
(2) Minimum dimension.

Dimensional Data (inches)

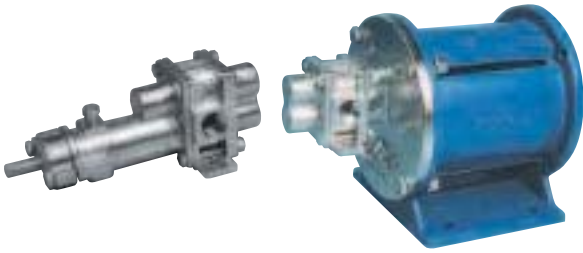
33F-MC & 33F Sealed, Close-Coupled



35R SEALED 35R-MC MAG-DRIVE



3 - SERIES
GEAR PUMP

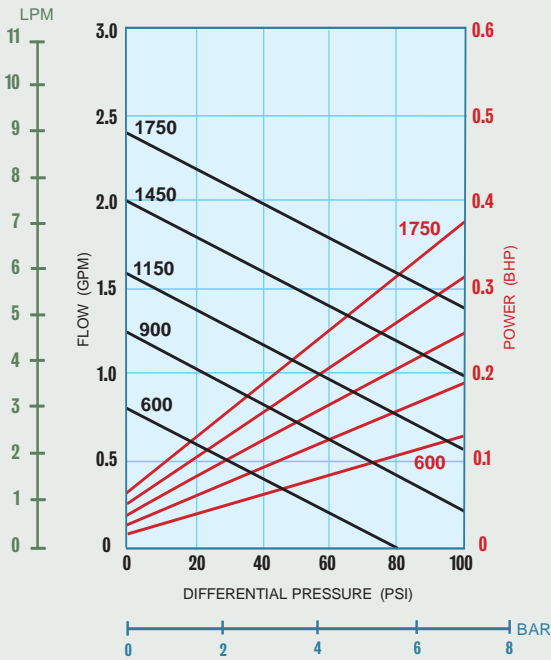


Sealed,
Long-Coupled

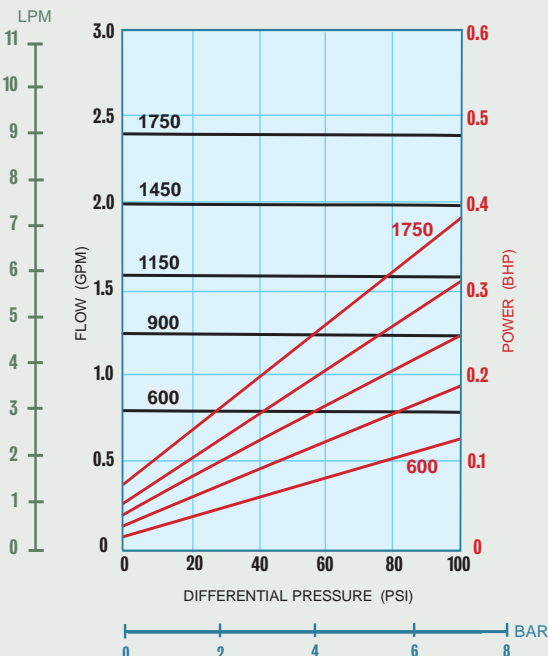
Sealed or Mag-Drive,
Close-Coupled

PERFORMANCE CURVES

1 CPS Fluid (Water)



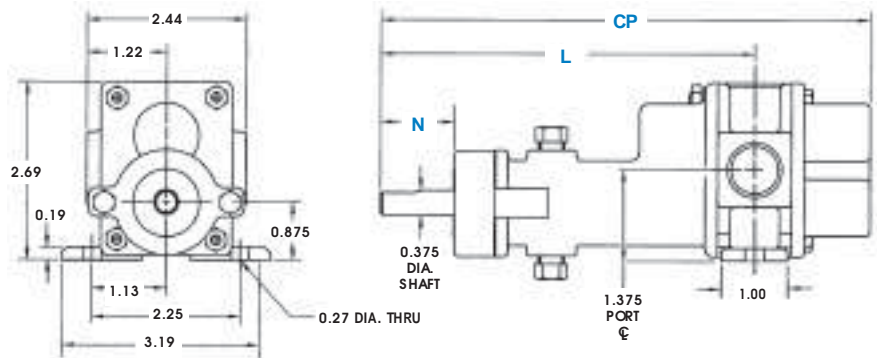
100 CPS Fluid (Oil)



PORT SIZE	1/2" NPT/BSPT/FLG
MAX FLOW	2.4 GPM; 9.1 LPM
MAX DIFFERENTIAL PRESSURE	100 PSI; 7 BAR
MAX DISCHARGE PRESSURE	300 PSI; 20.7 BAR
MAX TEMPERATURE	500°F; 260°C
MIN TEMPERATURE	-40°F; -40°C
MAX VISCOSITY	100,000* CPS
NPSHR @ 1750 RPM	2 FT; 0.6 M
LIFT (DRY)	2 FT; 0.6 M
WEIGHT (without motor)	
SEALED, Long-Coupled	3.5 LBS; 1.6 KGS
SEALED, Close-Coupled	24 LBS; 11 KGS
MAG-DRIVE, Close-Coupled	32 LBS; 15 KGS

* Higher viscosities possible. Contact factory.

Dimensional Data (inches)



35R Sealed, Long-Coupled

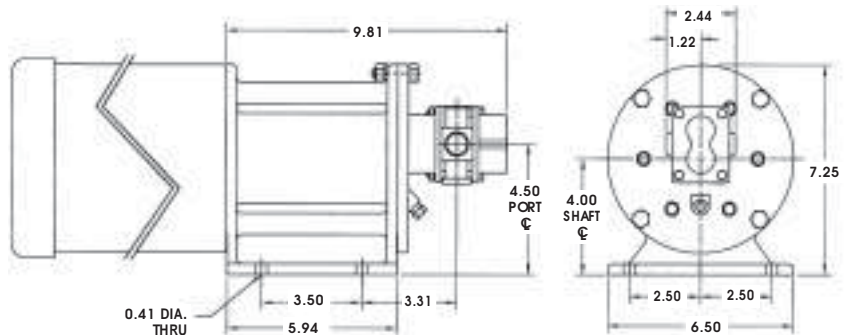
SEAL CONFIGURATIONS

DIMENSION	SINGLE & DOUBLE MECHANICAL SEALS	EXTERNAL MECHANICAL SEAL	PACKING	LIP SEAL
CP ⁽¹⁾	7.44	8.56	7.44	7.44
L	5.69	6.81	5.69	5.69
N	1.13	2.23	1.19 ⁽²⁾	1.56

NOTES: (1) Add .31 inches for Bearing Flush Plugs.
(2) Minimum dimension.

Dimensional Data (inches)

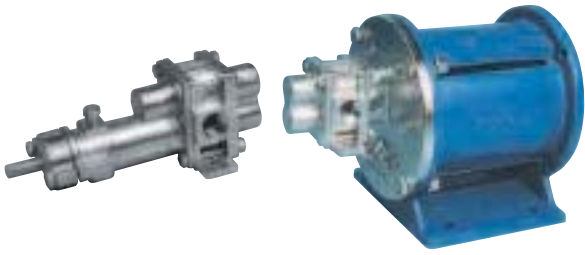
35R-MC & 35R Sealed, Close-Coupled



35F SEALED 35F-MC MAG-DRIVE



3 - SERIES
GEAR PUMP

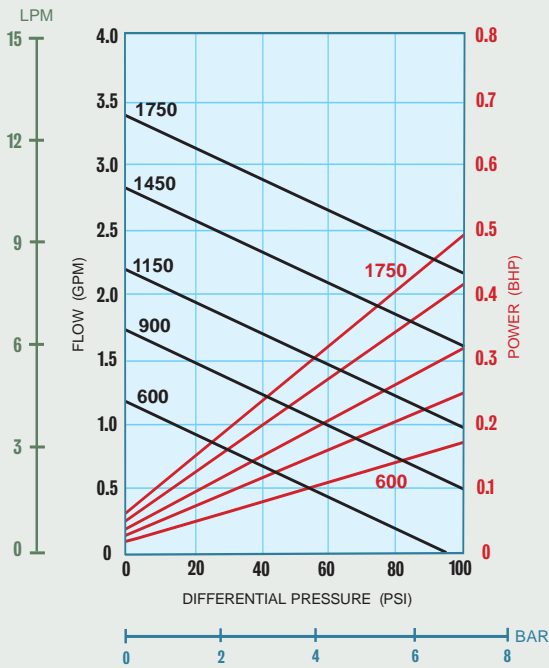


Sealed,
Long-Coupled

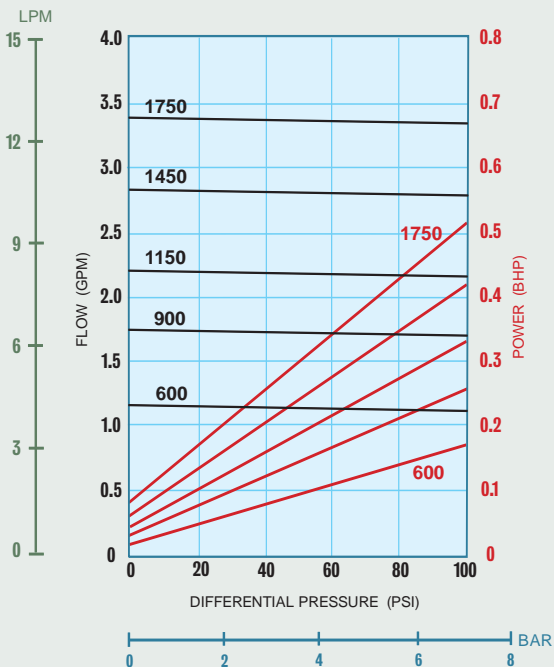
Sealed or Mag-Drive,
Close-Coupled

PERFORMANCE CURVES

1 CPS Fluid (Water)



100 CPS Fluid (Oil)

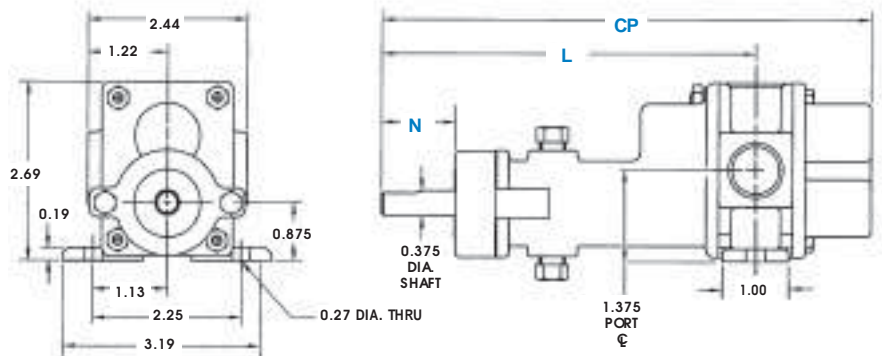


PORT SIZE	1/2" NPT/BSPT/FLG
MAX FLOW	3.4 GPM; 13 LPM
MAX DIFFERENTIAL PRESSURE	100 PSI; 7 BAR
MAX DISCHARGE PRESSURE	300 PSI; 20.7 BAR
MAX TEMPERATURE	500°F; 260°C
MIN TEMPERATURE	-40°F; -40°C
MAX VISCOSITY	100,000* CPS
NPSHR @ 1750 RPM	2 FT; 0.6 M
LIFT (DRY)	4 FT; 1.2 M
WEIGHT (without motor)	
SEALED, Long-Coupled	3.5 LBS; 1.6 KGS
SEALED, Close-Coupled	24 LBS; 11 KGS
MAG-DRIVE, Close-Coupled	32 LBS; 15 KGS

* Higher viscosities possible. Contact factory.

Dimensional Data (inches)

35F Sealed, Long-Coupled

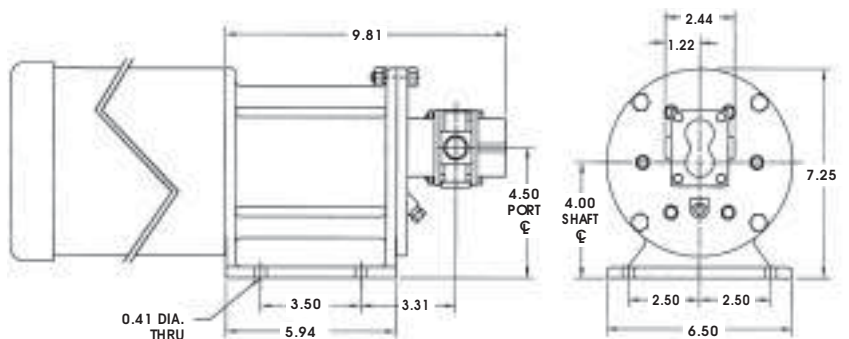


DIMENSION	SEAL CONFIGURATIONS			
	SINGLE & DOUBLE MECHANICAL SEALS	EXTERNAL MECHANICAL SEAL	PACKING	LIP SEAL
CP(1)	7.44	8.56	7.44	7.44
L	5.69	6.81	5.69	5.69
N	1.13	2.23	1.19(2)	1.56

NOTES: (1) Add .31 inches for Bearing Flush Plugs.
(2) Minimum dimension.

Dimensional Data (inches)

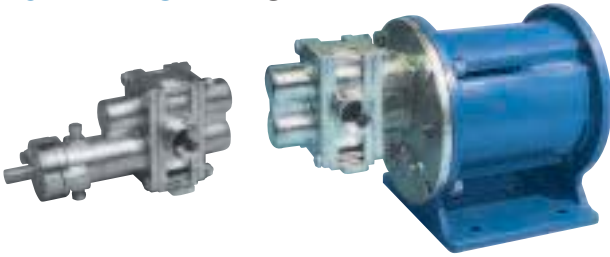
35F-MC & 35F Sealed, Close-Coupled



37R SEALED 37R-MC MAG-DRIVE



3 - SERIES
GEAR PUMP

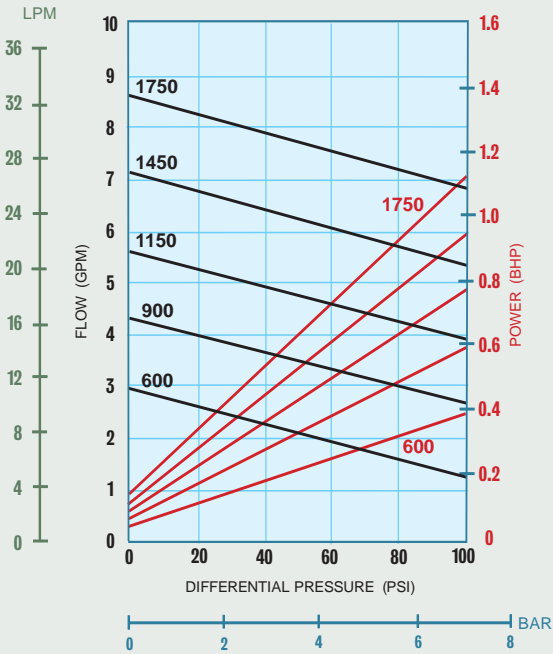


Sealed,
Long-Coupled

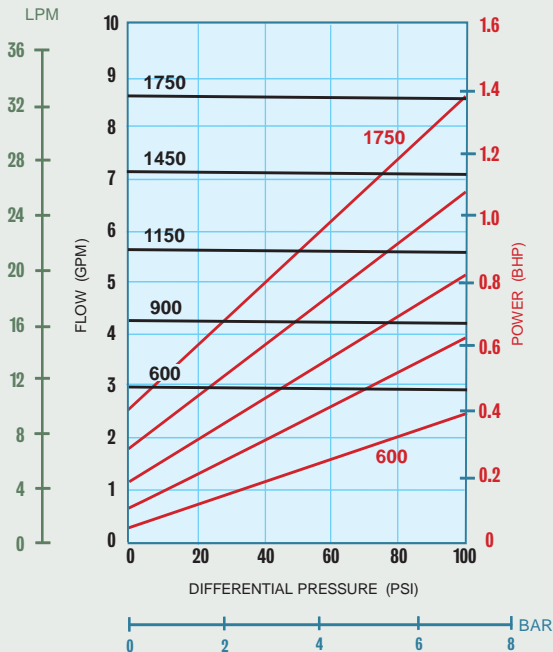
Sealed or Mag-Drive,
Close-Coupled

PERFORMANCE CURVES

1 CPS Fluid (Water)



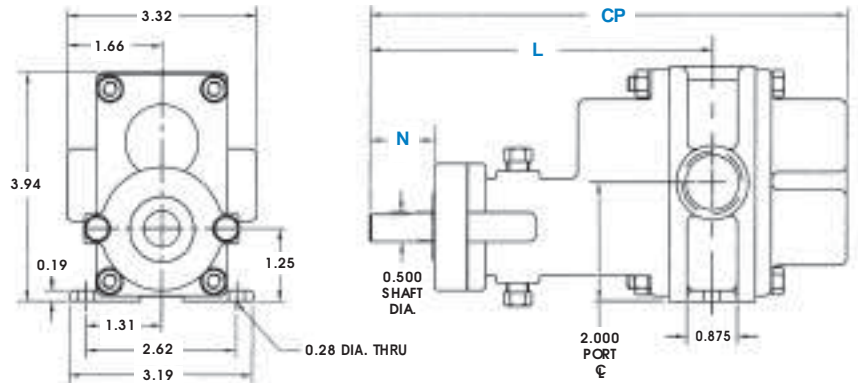
100 CPS Fluid (Oil)



PORT SIZE	3/4" NPT/BSPT/FLG
MAX FLOW	8.6 GPM; 33 LPM
MAX DIFFERENTIAL PRESSURE	100 PSI; 7 BAR
MAX DISCHARGE PRESSURE	225 PSI; 15.5 BAR
MAX TEMPERATURE	500°F; 260°C
MIN TEMPERATURE	-40°F; -40°C
MAX VISCOSITY	100,000* CPS
NPSHR @ 1750 RPM	5.2 FT; 1.6 M
LIFT (DRY)	6 FT; 1.8 M
WEIGHT (without motor)	
SEALED, Long-Coupled	6.5 LBS; 2.9 KGS
SEALED, Close-Coupled	29 LBS; 13 KGS
MAG-DRIVE, Close-Coupled	36 LBS; 16 KGS

* Higher viscosities possible. Contact factory.

Dimensional Data (inches)



37R Sealed, Long-Coupled

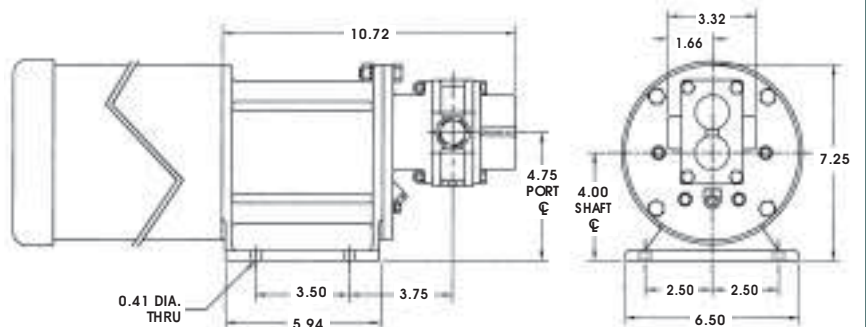
SEAL CONFIGURATIONS

DIMENSION	SINGLE & DOUBLE MECHANICAL SEALS	EXTERNAL MECHANICAL SEAL	PACKING	LIP SEAL
CP⁽¹⁾	8.20	10.32	8.20	8.20
L	5.98	8.10	5.98	5.98
N	1.23	3.35	1.25 ⁽²⁾	1.56

NOTES: (1) Add .31 inches for Bearing Flush Plugs.
(2) Minimum dimension.

Dimensional Data (inches)

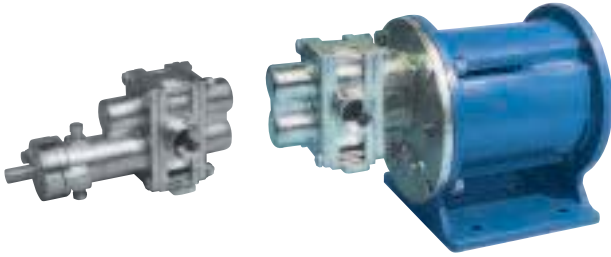
37R-MC & 37R Sealed, Close-Coupled



37F SEALED 37F-MC MAG-DRIVE



3 - SERIES
GEAR PUMP

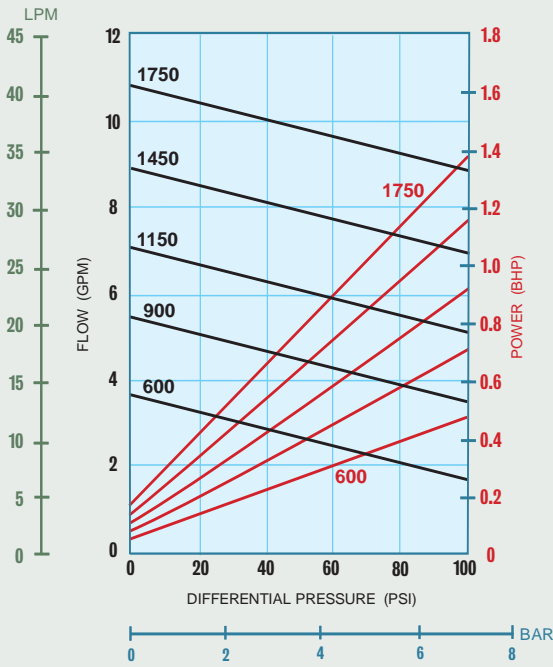


Sealed,
Long-Coupled

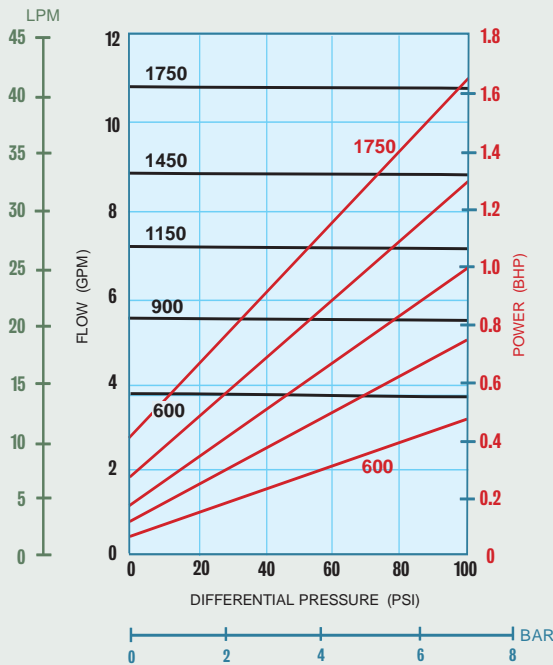
Sealed or Mag-Drive,
Close-Coupled

PERFORMANCE CURVES

1 CPS Fluid (Water)



100 CPS Fluid (Oil)

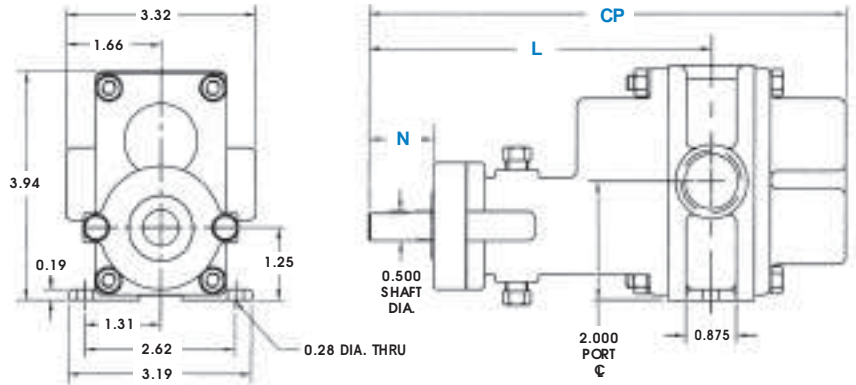


PORT SIZE	3/4" NPT/BSPT/FLG
MAX FLOW	10.7 GPM; 40.5 LPM
MAX DIFFERENTIAL PRESSURE	100 PSI; 7 BAR
MAX DISCHARGE PRESSURE	225 PSI; 15.5 BAR
MAX TEMPERATURE	500°F; 260°C
MIN TEMPERATURE	-40°F; -40°C
MAX VISCOSITY	100,000* CPS
NPSHR @ 1750 RPM	5.2 FT; 1.6 M
LIFT (DRY)	7 FT; 2.1 M
WEIGHT (without motor)	
SEALED, Long-Coupled	6.5 LBS; 2.9 KGS
SEALED, Close-Coupled	29 LBS; 13 KGS
MAG-DRIVE, Close-Coupled	36 LBS; 16 KGS

* Higher viscosities possible. Contact factory.

Dimensional Data (inches)

37F Sealed, Long-Coupled



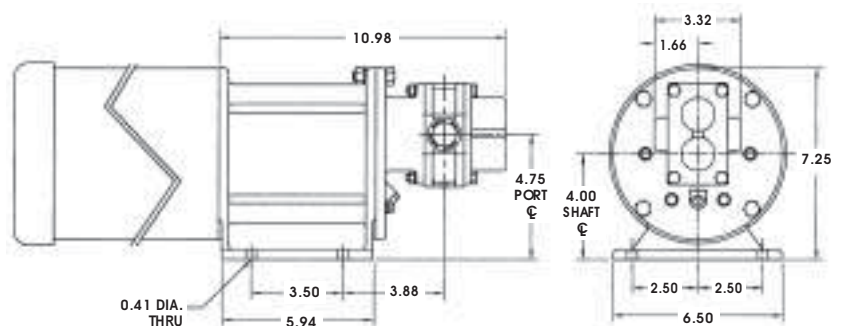
SEAL CONFIGURATIONS

DIMENSION	SINGLE & DOUBLE MECHANICAL SEALS	EXTERNAL MECHANICAL SEAL	PACKING	LIP SEAL
CP(1)	8.32	10.44	8.32	8.32
L	5.98	8.10	5.98	5.98
N	1.11	3.23	1.13(2)	1.44

NOTES: (1) Add .31 inches for Bearing Flush Plugs.
(2) Minimum dimension.

Dimensional Data (inches)

37F-MC & 37F Sealed, Close-Coupled



39R SEALED 39R-MC MAG-DRIVE



3 - SERIES
GEAR PUMP

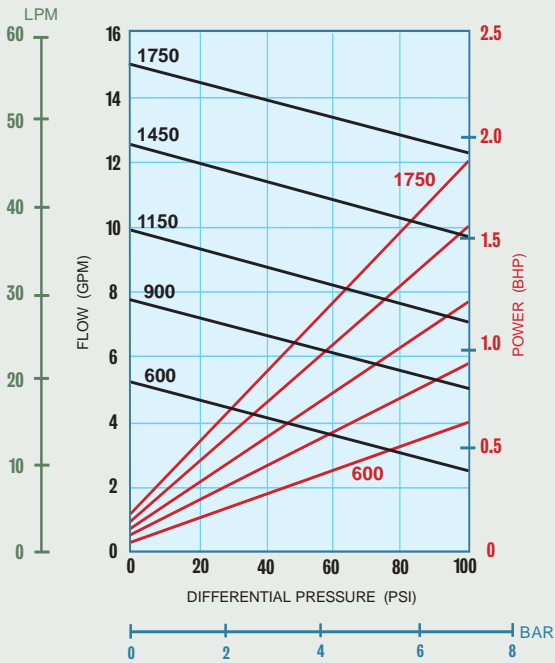


Sealed,
Long-Coupled

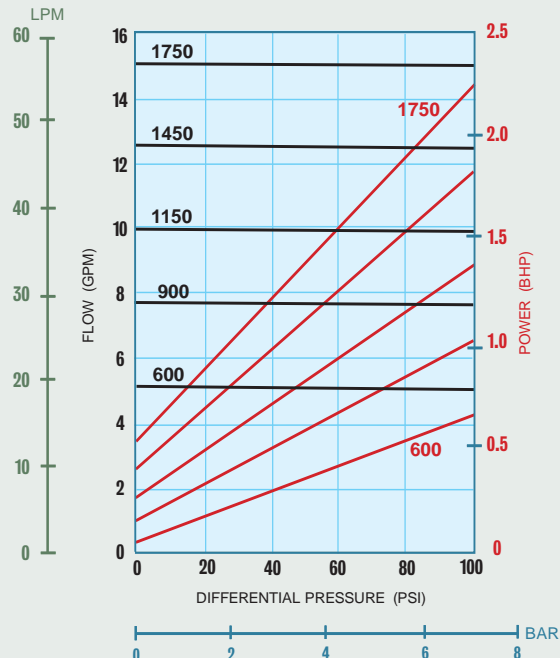
Sealed or Mag-Drive,
Close-Coupled

PERFORMANCE CURVES

1 CPS Fluid (Water)



100 CPS Fluid (Oil)



PORT SIZE	1" NPT/BSPT/FLG
MAX FLOW	15 GPM; 57 LPM
MAX DIFFERENTIAL PRESSURE	100 PSI; 7 BAR
MAX DISCHARGE PRESSURE	225 PSI; 15.5 BAR
MAX TEMPERATURE	500°F; 260°C
MIN TEMPERATURE	-40°F; -40°C
MAX VISCOSITY	100,000* CPS
NPSHR @ 1750 RPM	4 FT; 1.2 M
LIFT (DRY)	6 FT; 1.8 M

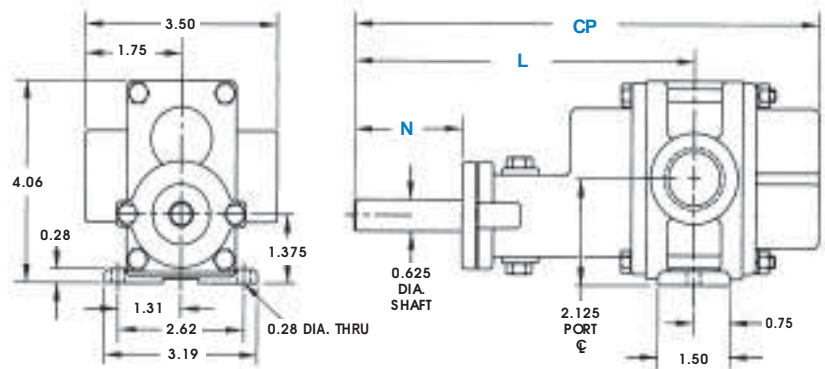
WEIGHT (without motor)

SEALED, Long-Coupled	8 LBS; 3.6 KGS
SEALED, Close-Coupled	34 LBS; 15 KGS
MAG-DRIVE, Close-Coupled	38 LBS; 17 KGS

* Higher viscosities possible. Contact factory.

Dimensional Data (inches)

39R Sealed, Long-Coupled

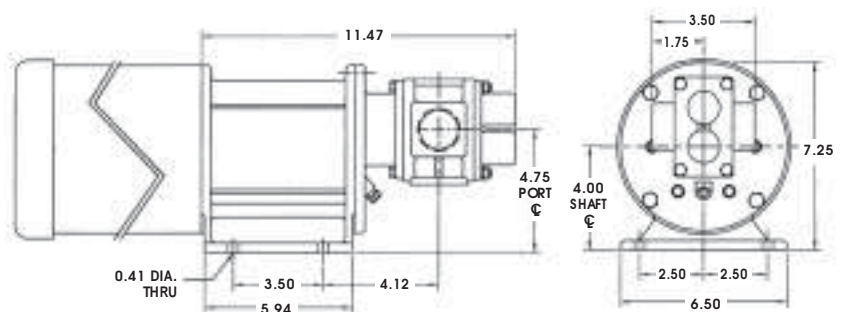


DIMENSION	SEAL CONFIGURATIONS	
	SINGLE & DOUBLE MECHANICAL SEALS	PACKING
CP(1)	9.68	9.68
L	7.08	7.08
N	2.00	2.00 (2)

NOTES: (1) Add .31 inches for Bearing Flush Plugs.
(2) Minimum dimension.

Dimensional Data (inches)

39R-MC & 39R Sealed, Close-Coupled



39F SEALED 39F-MC MAG-DRIVE



3 - SERIES
GEAR PUMP

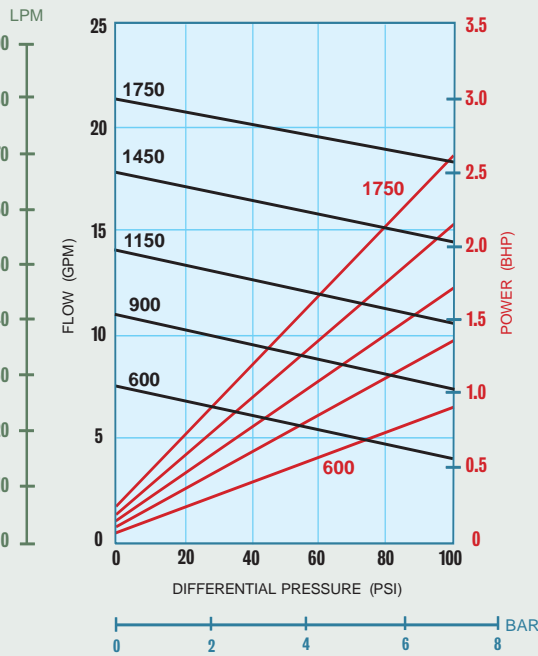


Sealed,
Long-Coupled

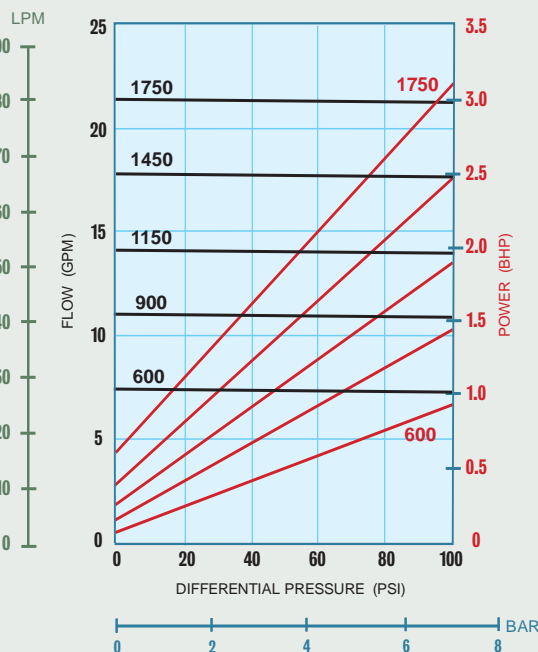
Sealed or Mag-Drive,
Close-Coupled

PERFORMANCE CURVES

1 CPS Fluid (Water)



100 CPS Fluid (Oil)

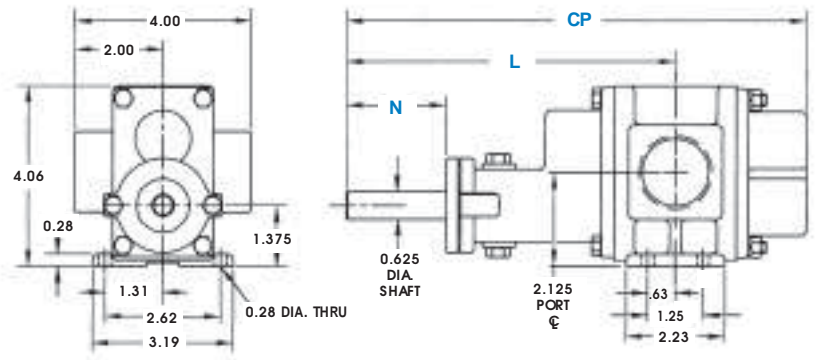


PORT SIZE	1 1/4" NPT/BSPT/FLG
MAX FLOW	21.5 GPM; 81.4 LPM
MAX DIFFERENTIAL PRESSURE	100 PSI; 7 BAR
MAX DISCHARGE PRESSURE	225 PSI; 15.5 BAR
MAX TEMPERATURE	500°F; 260°C
MIN TEMPERATURE	-40°F; -40°C
MAX VISCOSITY	100,000* CPS
NPSHR @ 1750 RPM	3 FT; 0.9 M
LIFT (DRY)	14 FT; 4.2 M
WEIGHT (without motor)	
SEALED, Long-Coupled	10 LBS; 4.5 KGS
SEALED, Close-Coupled	36 LBS; 16 KGS
MAG-DRIVE, Close-Coupled	40 LBS; 18 KGS

* Higher viscosities possible. Contact factory.

Dimensional Data (inches)

39F Sealed, Long-Coupled



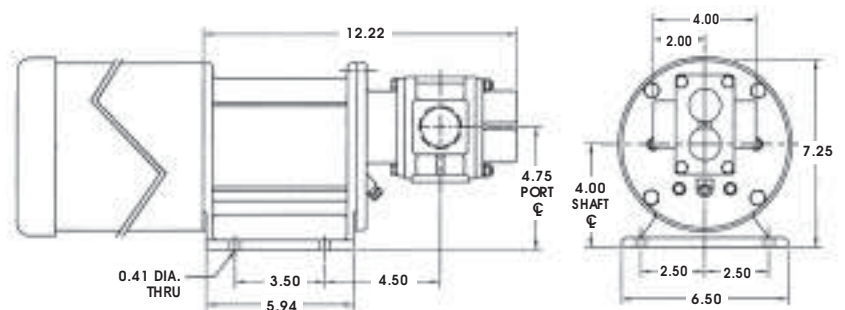
SEAL CONFIGURATIONS

DIMENSION	SINGLE & DOUBLE MECHANICAL SEALS	PACKING
CP(1)	10.44	10.44
L	7.47	7.47
N	2.00	2.00 (2)

NOTES: (1) Add .31 inches for Bearing Flush Plugs.
(2) Minimum dimension.

Dimensional Data (inches)

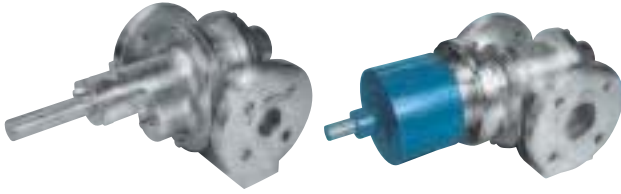
39F-MC & 39F Sealed, Close-Coupled



312R SEALED
312R-MC MAG-DRIVE



3 - SERIES
GEAR PUMP

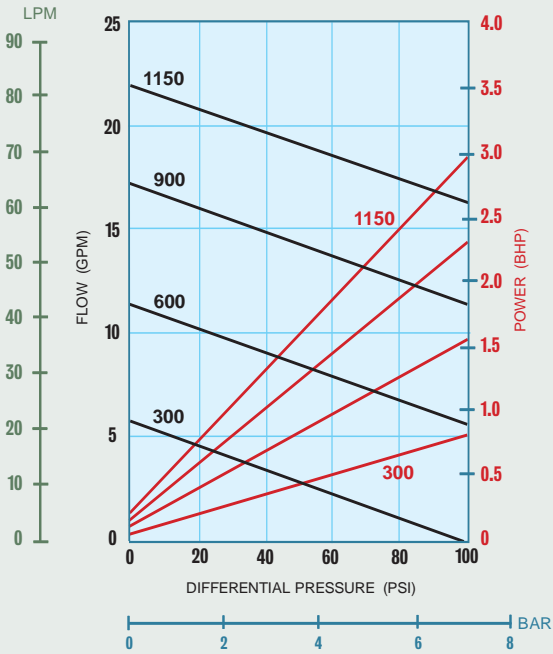


Sealed,
Long-Coupled

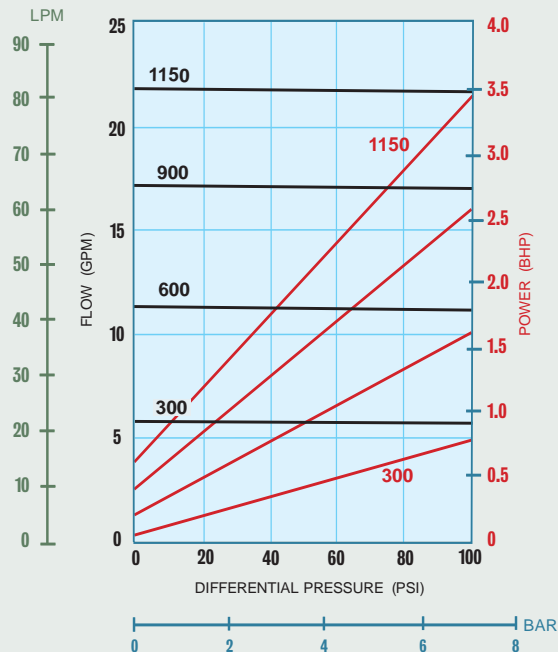
Mag-Drive,
Long-Coupled

PERFORMANCE CURVES

1 CPS Fluid (Water)



100 CPS Fluid (Oil)

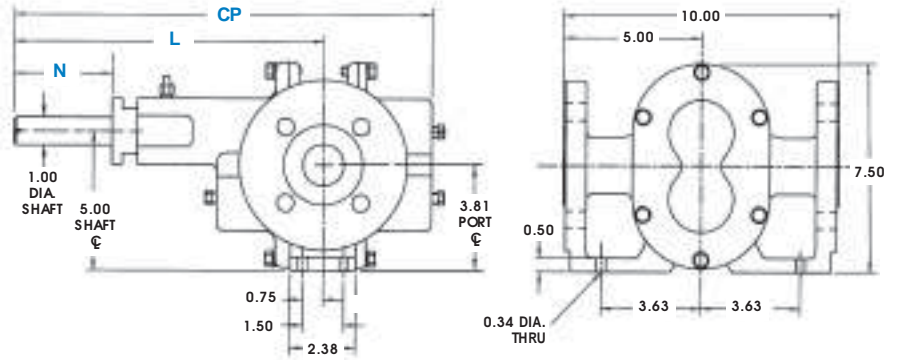


PORT SIZE	1 1/2" FLG or 1 1/4" NPT/BSPT
MAX. FLOW	22 GPM; 83 LPM
MAX DIFFERENTIAL PRESSURE	100 PSI; 7 BAR
MAX DISCHARGE PRESSURE	270 PSI; 18.6 BAR
MAX TEMPERATURE	500°F; 260°C
MIN TEMPERATURE	-40°F; -40°C
MAX VISCOSITY	100,000* CPS
NPSHR @ 1150 RPM	5 FT; 1.5 M
LIFT (DRY)	15 FT; 4.5 M
WEIGHT (without motor)	
SEALED, Long-Coupled	52 LBS; 24 KGS
MAG-DRIVE, Long-Coupled	70 LBS; 32 KGS

* Higher viscosities possible. Contact factory.

Dimensional Data (inches)

312R Sealed, Long-Coupled



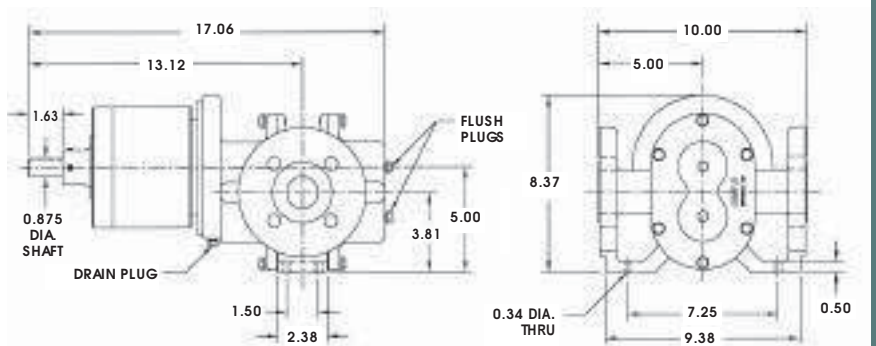
SEAL CONFIGURATIONS

DIMENSION	SINGLE & DOUBLE MECHANICAL SEALS	PACKING
CP(1)	15.19	15.19
L	11.25	11.25
N	4.06	3.78 (2)

NOTES: (1) Add .31 inches for Bearing Flush Plugs.
(2) Minimum dimension.

Dimensional Data (inches)

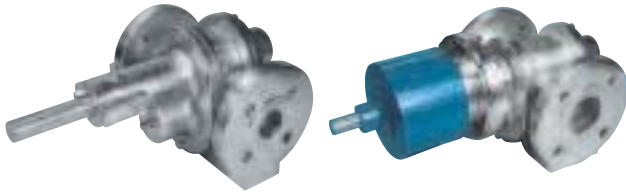
312R-MC, Long-Coupled



312F SEALED 312F-MC MAG-DRIVE



3 - SERIES
GEAR PUMP

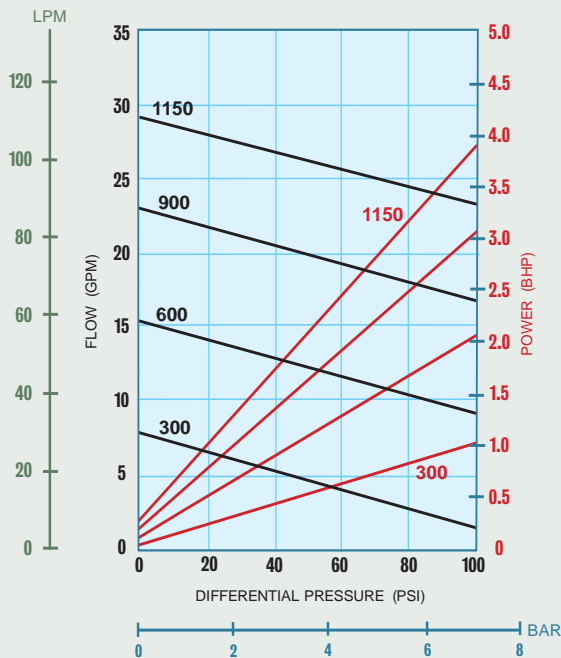


Sealed,
Long-Coupled

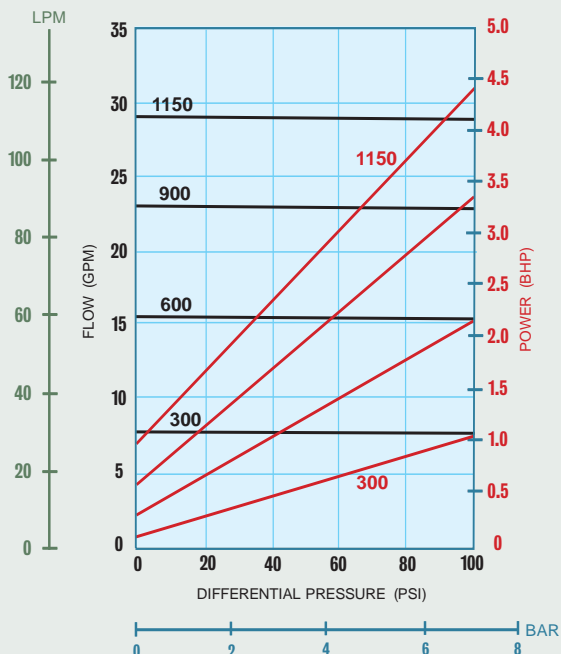
Mag-Drive,
Long-Coupled

PERFORMANCE CURVES

1 CPS Fluid (Water)



100 CPS Fluid (Oil)

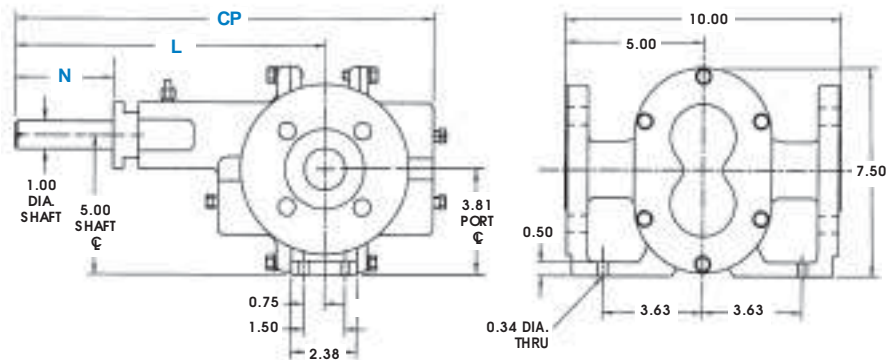


PORT SIZE	1 1/2" FLG or 1 1/4" NPT/BSPT
MAX FLOW	29 GPM; 110 LPM
MAX DIFFERENTIAL PRESSURE	100 PSI; 7 BAR
MAX DISCHARGE PRESSURE	270 PSI; 18.6 BAR
MAX TEMPERATURE	500°F; 260°C
MIN TEMPERATURE	-40°F; -40°C
MAX VISCOSITY	100,000* CPS
NPSHR @ 1150 RPM	5 FT; 1.5 M
LIFT (DRY)	17 FT; 5.2 M
WEIGHT (without motor)	
SEALED, Long-Coupled	52 LBS; 24 KGS
MAG-DRIVE, Long-Coupled	70 LBS; 32 KGS

* Higher viscosities possible. Contact factory.

Dimensional Data (inches)

312F Sealed, Long-Coupled



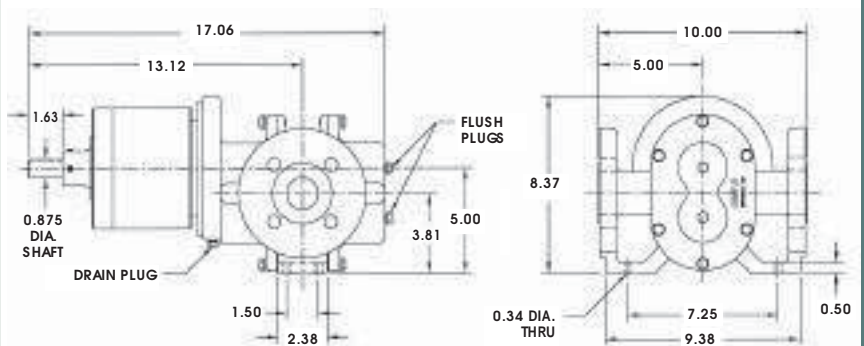
SEAL CONFIGURATIONS

DIMENSION	SINGLE & DOUBLE MECHANICAL SEALS	PACKING
CP(1)	15.19	15.19
L	11.25	11.25
N	4.06	3.78 (2)

NOTES: (1) Add .31 inches for Bearing Flush Plugs.
(2) Minimum dimension.

Dimensional Data (inches)

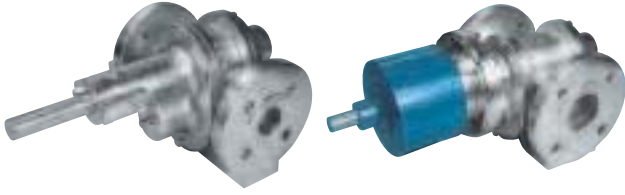
312F-MC, Long-Coupled



314F SEALED 314F-MC MAG-DRIVE



3 - SERIES
GEAR PUMP

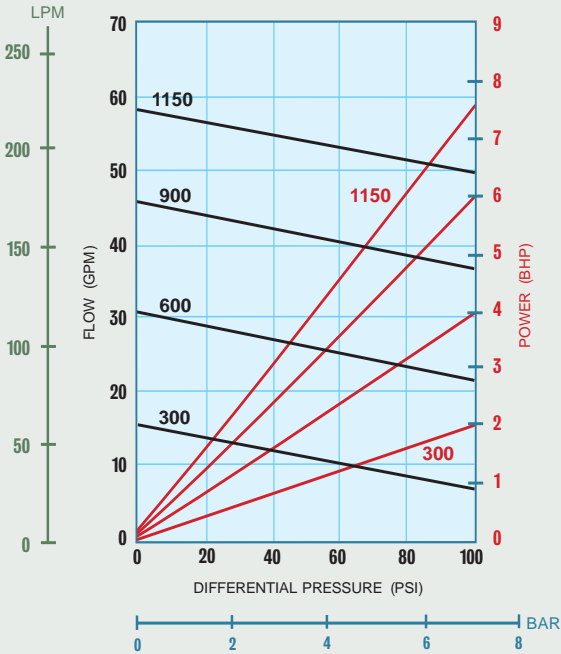


Sealed,
Long-Coupled

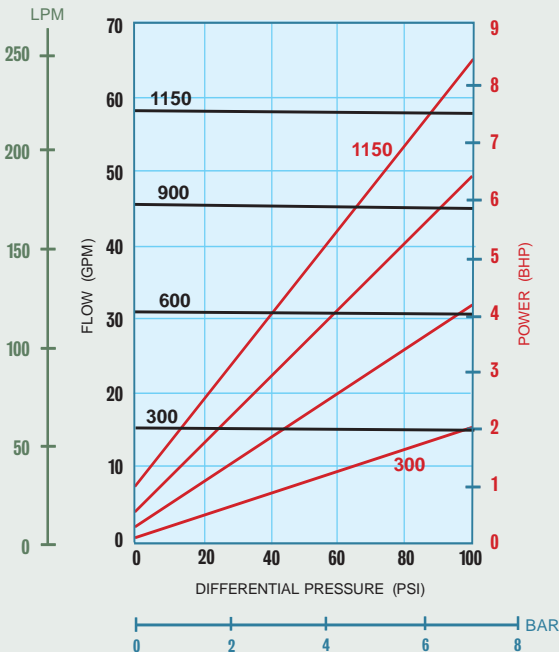
Mag-Drive,
Long-Coupled

PERFORMANCE CURVES

1 CPS Fluid (Water)



100 CPS Fluid (Oil)

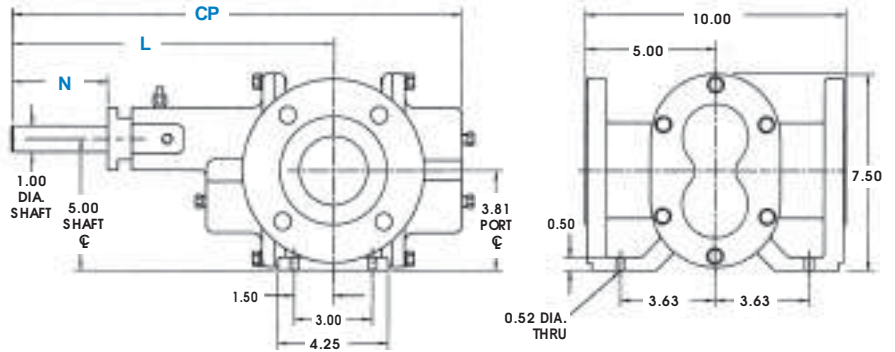


PORT SIZE	2 1/2" FLG
MAX FLOW	58 GPM; 220 LPM
MAX DIFFERENTIAL PRESSURE	100 PSI; 7 BAR
MAX DISCHARGE PRESSURE	270 PSI; 18.6 BAR
MAX TEMPERATURE	500°F; 260°C
MIN TEMPERATURE	-40°F; -40°C
MAX VISCOSITY	100,000* CPS
NPSHR @ 1150 RPM	3 FT; 0.9 M
LIFT (DRY)	20 FT; 6.1 M
WEIGHT (without motor)	
SEALED, Long-Coupled	67 LBS; 30 KGS
MAG-DRIVE, Long-Coupled	85 LBS; 39 KGS

* Higher viscosities possible. Contact factory.

Dimensional Data (inches)

314F Sealed, Long-Coupled



DIMENSION	SEAL CONFIGURATIONS	
	SINGLE & DOUBLE MECHANICAL SEALS	PACKING
CP(1)	17.19	17.19
L	12.25	12.25
N	4.06	3.78 (2)

NOTES: (1) Add .31 inches for Bearing Flush Plugs.
(2) Minimum dimension.

Dimensional Data (inches)

314F-MC, Long-Coupled

